

B101 MULTI TAP ADAPTOR



PRODUCT DESCRIPTION:

Adaptor is used to turn multiple conductors of low voltage. Whole adaptor is inserted into the IPC with piercing teeth who penetrate through the insulation. This joint is 100% waterproof. The adaptor can be installed with any IPC who allows you to transfer the required voltage, and has the ability to carry the required number of conductors.

On his body is 8 screws and 4 mounting holes, into which the wires 1,5 - 35 mm² where plugged. It's allowed to use more smaller diameter conductors, provided that their overall average does not exceed the 35mm². In this case, we recommend twist wires together.

The wires are inserted into the mounting hole, which is equipped with flexible rubber against moisture. Then each wire is fixed by 2 screws with plastic shear head.

PRODUCT RANGE:

Wire: RE/RM 1,5-35mm² Cu/Al.
Adaptor 2x1.5-35
Adaptor 4x1.5-35

USED MATERIALS:

Hi-conductivity aluminium, PVC UV resistant, rubber.

VARIANTS:

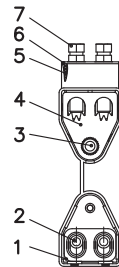
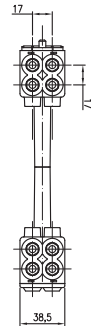
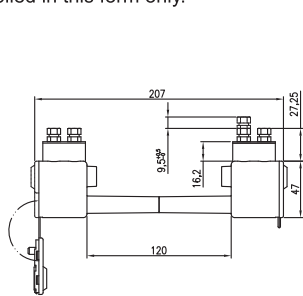
The product is manufactured and supplied in this form only.

PACKING:

Carton dimensions: 600x350x210.
Contain 60Pcs, in each 5 boxes, each contain 12 pieces.
Weight: 315g/pcs.
Net weight: 18,9kg.
Groow weight: 21Kg.

STORAGE AND TRANSPORT:

Product do not have any specific requirements on storage. It is fire-resistant and it is not dangerous.



POSITION. ITEM - MATERIAL

1. Cover - PA66
2. Waterproof bushing - RUBBER
3. Connecting drum - Al
4. Body - Al
5. Screw cover - RUBBER
6. PAD - PA66
7. SCREW - Al

B102 INTERCONNECTION FOR OVERVOLTAGE LIMITERS



Material: Aluminum alloy, plastic

TYPE	Cable	Tube	
	length, section	Length	Diameter
PCCC	310mm,25mm ²	7.5mm	M8, OD:12mm

PIERCING CONNECTOR IPC PCT13 - PCT14 + T

B103 PIERCING CONNECTOR LOW VOLTAGE

PRODUCT DESCRIPTION:

PC T ab(B)x/y
PC=Piercing CONNECTOR
T=Tear head; B=BARE; a=bolt No.; b=outlet number; x=Max of main cond.; y=Max of Tap cond.

Purpose of Insulation piercing connectors(IPC) is to connect main and one (PC13), two(PC14) tap conductor's of section, how is written on IPC body. Type without letter B serves to connect isolated conductors, with letter B bare conductors. IPC for one tap conductor is equipped with cable termination cap PCEC 6/120, for two wires-no caps.

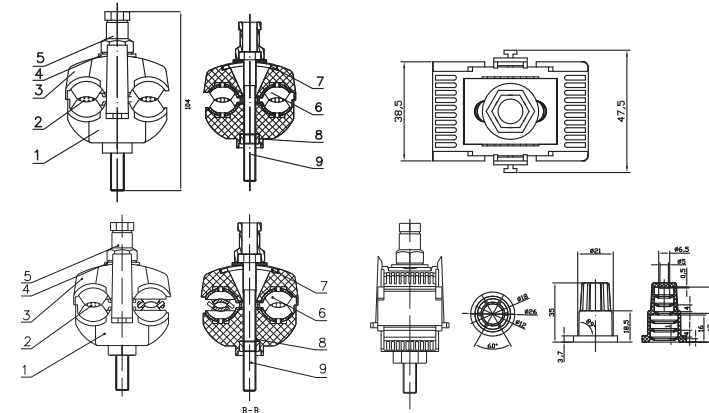
IPC consists from two glass-fiber reinforced plastic parts, which are fitted with two brass tinned teeth's, which are coated with UV-curing silica grease and the teeth are fitted with rubber insulation. This set is associated with the bolt, nut and pinch fixation segment. The terminals marked T are equipped with tear head. The lower part of the clamp is designed to be hold by the key 13 and the ventilation chamber, providing optimal ventilation of IPC. Product can be also used as tap connector inside low voltage boxes.

PRODUCT RANGE:

PCT13 120/70 RE/RM, isolated 16-120/isolated 4-70 mm², Cu/Al.
PCT13 150/150 RE/RM, isolated 6-150/isolated 6-150 mm², Cu/Al.
PCT14 150/150 RE/RM, isolated 6-150/isolated 6-150 mm², Cu/Al.

PCT13 120/B70 RE/RM, isolated 16-120/bare 4-70 mm², Cu/Al.
PCT13 B120/70 RE/RM, bare 16-120/isolated 4-70 mm², Cu/Al.
PCT13 120/B95 RE/RM,isolated 16-120/bare 10-95 mm², Cu/Al.
PCT13 B120/95 RE/RM,bare 16-120/isolated 10-95 mm², Cu/Al.
PCT13 150/B150 RE/RM, isolated 10-150/bare 10-150 mm², Cu/Al.

DRAWING:



VARIANTS:

The product is manufactured and supplied in modification's as is showed upwards in product range.

STORAGE AND TRANSPORT:

Product do not have any specific requirements on storage. It is fire-resistant and it is not dangerous.

IPC Key



B560

USED MATERIALS:

UV& fire resistant PA66, PVC, dacromet or H.D.G.(optional) finished steel, tinned copper.
*Brass tinned or Aluminum can be required.



POSITION ITEM-MATERIAL

1. Lower body-PA 66
2. Connecting blades-Tinned copper
3. Upper body-PA 66
4. Washer-H.D.G steel or DACROMET
5. Shear head-Zinc Alloy
6. Waterproof sealing-RUBBER
7. Washer-H.D.G steel or DACROMET
8. Nut-H.D.G steel or DACROMET
9. Bolt-H.D.6 steel or DACROMET



PACKING:

100pcs per carton.
G.W: 220 g/pc.
N.W: 210 g/P.C

B104 PIERCING CONNECTOR LOW VOLTAGE

B

Old version



Old version



2013 New



Product description:

PC T ab(B) x/y
PC = Piercing CONNECTOR
T = Tear head; B= BARE; a= bolt No.; b= outlet number; x= Max of main cond.; y= Max of Tap cond.
Purpose of Insulation piercing connectors (IPC) is to connect main and one (PC13), two (PC14) tap conductor's of section, how is written on IPC body. Type without letter B serves to connect isolated conductors, with letter B bare conductors. IPC for one tap conductor is equipped with cable termination cap PCEC 6 / 120, for two wires - no caps. IPC consists from two glass-fiber reinforced plastic parts, which are fitted with two brass tinned teeth's, which are coated with UV-curing silica grease and the teeth are fitted with rubber insulation. This set is associated with the bolt, nut and pinch fixation segment. The terminals marked T are equipped with tear head. The lower part of the clamp is designed to be hold by the key 13 and the ventilation chamber, providing optimal ventilation of IPC.
Product can be also used as tap connector inside low voltage boxes.

Product range:

PCT13C 120/10 RE/RM, isolated 6-120/ isolated 1.5-10 mm², Cu/Al.
PCT13CB 120/10 RE/RM, bare 6-120/ isolated 1.5-10 mm², Cu/Al.

Used materials:

UV & fire resistant PA66 ,PVC , dacromet or H.D.G.(optional) finished steel, tinned brass.

Variants:

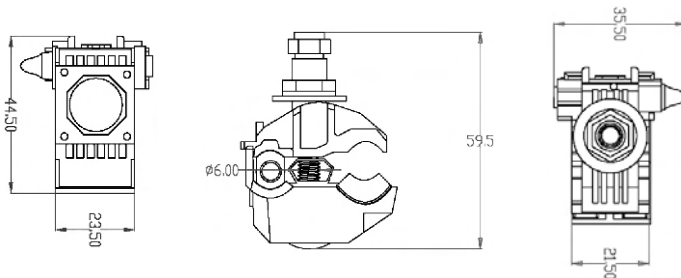
The product is manufactured and supplied in modification's as is showed upwards in PRODUCT RANGE.

Packing:

300pcs per carton.
G.W:17 kg
N.W: 18kg

Storage and transport:

Product do not have any specific requirements on storage. It is fire-resistant and it is not dangerous.
* Since 2013, we will delivery 2013 new type as default. old version should be required.*



Item - material

1. Lower body - PA 66
2. Connecting blades - Tinned copper
3. Upper body - PA 66
4. Washer - H.D.G steel or DACROMET
5. Shear head - Zinc Alloy
6. Waterproof sealing - RUBBER
7. Bolt - H.D.G steel or DACROMET

B105 PIERCING CONNECTOR LOW VOLTAGE

B

Product description:

PC T ab(B) x/y
PC = Piercing CONNECTOR
T = Tear head; B= BARE; a= bolt No.; b= outlet number; x= Max of main cond.; y= Max of Tap cond.
Purpose of Insulation piercing connectors(IPC) is to connect main and one (PC13), two (PC14) tap conductor's of section, how is written on IPC body. Type without letter B serves to connect isolated conductors, with letter B bare conductors. IPC for one tap conductor is equipped with cable termination cap PCEC 6 / 120, for two wires - no caps. IPC consists from two glass-fiber reinforced plastic parts, which are fitted with two brass tinned teeth's, which are coated with UV-curing silica grease and the teeth are fitted with rubber insulation. This set is associated with the bolt, nut and pinch fixation segment. The terminals marked T are equipped with tear head. The lower part of the clamp is designed to be hold by the key 13 and the ventilation chamber, providing optimal ventilation of IPC.
Product can be also used as tap connector inside low voltage boxes.

Product range:

PCT13C 70/35 RE/RM, isolated 16-70/ isolated 4-35 mm², Cu/Al.
PCT13CB 70/35 RE/RM, isolated 16-70/ bare 4-35 mm², Cu/Al.
PCT13C 95/50 RE/RM, isolated 16-95/ isolated 4-50 mm², Cu/Al.
PCT13CB 95/50 RE/RM, isolated 16-95/ bare 4-50 mm², Cu/Al.

Used materials:

UV & fire resistant PA66 ,PVC , dacromet or H.D.G.(optional) finished steel, tinned copper.
* Brass or Aluminum should be required

Variants:

The product is manufactured and supplied in modification's as is showed upwards in product range.

Packing:

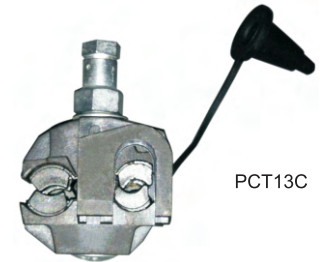
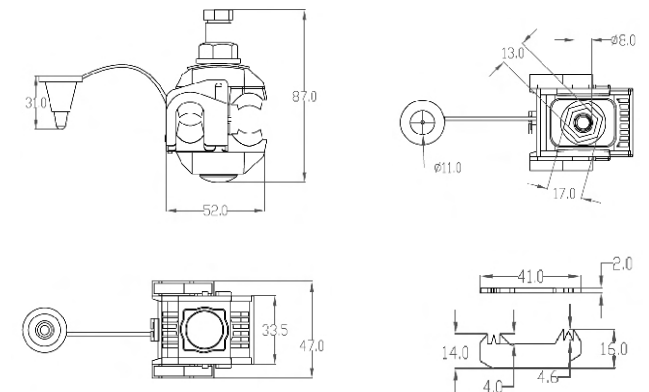
120pcs per carton. G.W:24 kg N.W: 25kg

Storage and transport:

Product do not have any specific requirements on storage. It is fire-resistant and it is not dangerous.

Item - material

1. Lower body - PA 66
2. Connecting blades - Tinned copper
3. Upper body - PA 66
4. Washer - H.D.G steel or DACROMET
5. Shear head - Zinc Alloy
6. Waterproof sealing - RUBBER
7. Bolt - H.D.G steel or DACROMET



PCT13C



PCT13CB

B106 PIERCING CONNECTOR LOW VOLTAGE

PRODUCT DESCRIPTION:

PC T ab(B) x/y
 PC = Piercing CONNECTOR
 T = Tear head; B= BARE; a= bolt No.; b= outlet number;
 x= Max of main cond.; y= Max of Tap cond.

PRODUCT RANGE:

PCT13C 95/95 RE/RM, isolated 16-95/ isolated 16-95 mm², Cu/Al.
 PCT13CB 95/95 RE/RM, isolated 16-95/ bare 16-95 mm², Cu/Al.
 PCT13C 150/150 RE/RM, isolated 16-150/ isolated 16-150 mm², Cu/Al.
 PCT13CB 150/150 RE/RM, isolated 16-150/ bare 16-150 mm², Cu/Al.

USED MATERIALS:

UV & fire resistant PA66, PVC, dacromet or H.D.G.(optional) finished steel, tinned copper.

* Brass or Aluminum should be required

VARIANTS:

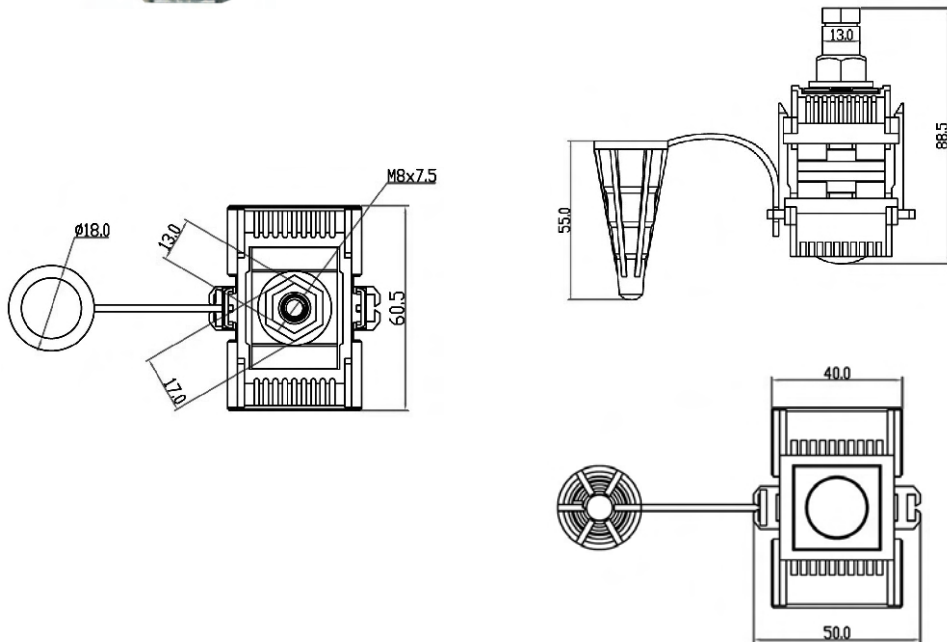
The product is manufactured and supplied in modification's as is showed upwards in PRODUCT RANGE.

PACKING:

120pcs per carton. G.W:25 kg N.W: 26kg

STORAGE AND TRANSPORT:

Product do not have any specific requirements on storage. It is fire-resistant and it is not dangerous.



IPC OEM TYPE

<p>IPC-CDRS Main: 35-120 Tap: 35-120</p>	<p>CPL Main: 16-95 Tap: 16-25</p>	<p>EP IP68</p>
<p>IPC70/70 Main: 16-70 Tap: 16-70</p>	<p>IPC150/150 Main: 6-150 Tap: 6-150</p>	<p>EP IP68 Main: 6-120 Tap: 1.5-10</p>
<p>5212</p>	<p>OEM TYPE</p>	
<p>CT-1 Main: 25-70 Tap: 6-35</p>		
<p>JBC-1 Main: 35-70 Tap: 6-35</p>	<p>AC 16-95/4-50 South america type</p>	<p>AC 16-95/4-50 South america type</p>
<p>CT-2</p>	<p>JBC-2 Main: 35-120 Tap: 35-120</p>	<p>DN-3</p>

B107 PIERCING CONNECTOR LOW VOLTAGE

B



PCT23



PCT23B

PRODUCT DESCRIPTION:

PC T ab(B) x/y
PC = Piercing CONNECTOR
T = Tear head; B= BARE; a= bolt No.; b= outlet number; x= Max of main cond.; y= Max of Tap cond.

Purpose of Insulation piercing connectors(IPC) is to connect main and one (PC13), two (PC14) tap conductor's of section, how is written on IPC body. Type without letter B serves to connect isolated conductors, with letter B bare conductors. IPC for one tap conductor is equipped with cable termination
IPC consists from two glass-fiber reinforced plastic parts, which are fitted with two brass tinned teeth's, which are coated with UV-curing silica grease and the teeth are fitted with rubber insulation. This set is associated with the bolt, nut and pinch fixation segment. The terminals marked T are equipped with tear head. The lower part of the clamp is designed to be hold by the key 13 and the ventilation chamber, providing optimal ventilation of IPC.
Product can be also used as tap connector inside low voltage boxes.

PRODUCT RANGE:

PCT23 240/150 RE/RM, isolated 50-150/ isolated 95-240 mm², Cu/Al.
PCT23 240/240 RE/RM, isolated 95-240/ isolated 95-240 mm², Cu/Al.
PCT23B 240/240 RE/RM, bare 95-240/ isolated 95-240 mm², Cu/Al.
PCT23B 240/150 RE/RM, bare 50-150/ isolated 95-240 mm², Cu/Al.

USED MATERIALS:

UV & fire resistant PA66 ,PVC, dacromet or H.D.G.(optional) finished steel, tinned brass/copper.
default offer is copper, if brass or aluminum should be required

VARIANTS:

The product is manufactured and supplied in modification's as is showed upwards in product range.

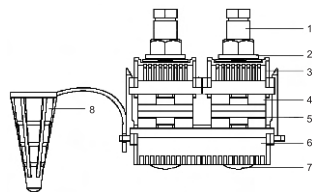
STORAGE AND TRANSPORT:

Product do not have any specific requirements on storage. It is fire-resistant and it is not dangerous.

PACKING:

40pcs per carton. G.W: 18 kg
N.W: 19kg

B108 PIERCING CONNECTOR LOW VOLTAGE PCT23C 240/240(JBC3 95-240)



PRODUCT RANGE:

PCT23C 240/95RE/RM, isolated 50-240mm²
isolated 50-95 mm², Cu/Al.

USED MATERIALS:

UV & fire resistant PA66, PVC, dacromet or H.D.G.(optional) finished steel, tinned brass.

VARIANTS:

The product is manufactured and supplied in modification's as is showed upwards in product range.

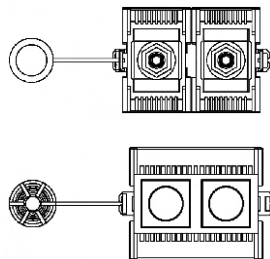
PACKING

Carton dimensions: 405x270x385
Contain: 60pcs. G.W: 575 g/pc. N.W: 542 g/pc.

STORAGE AND TRANSPORT:

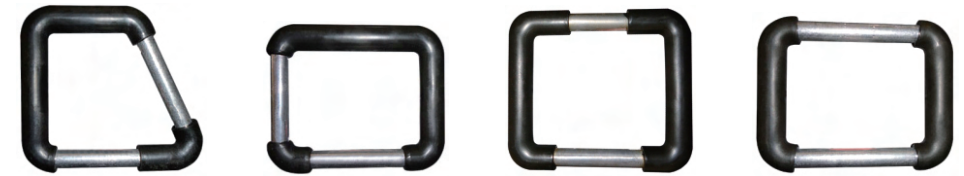
Product do not have any specific requirements on storage. Its is fire-resistant and it is not dangerous.

1. Shear head - Zinc Alloy
2. Washer - H.D.G steel or DACROMET
3. Upper body - PA 66
4. Waterproof sealing - RUBBER
5. Connecting blades - Tinned brass
6. Lower body - PA 66
7. Bolt - H.D.G steel or DACROMET
8. PVC end cap



B109 GROUNDING RINGS 1-10KV

B



TYPE	Length * Width	PVC diameter	AL diameter	Bare length
PCGR8-50	103*78mm	13mm	8mm	50mm
PCGR10-50	120*107mm	14.5mm	10mm	50mm
PCGR10-60	120*107mm	14.5mm	10mm	60mm
PCGR12-60/40	120*107mm	14.5mm	10mm	60mm
PCGR13-80	123*109mm	16.5mm	12mm	40mm/60mm
PCGR13-60/70L	138*107mm	18.5mm	13mm	60mm/70mm
PCGR13-60/70V	133*120mm	18.5mm	13mm	60mm/70mm

B110 AERIAL FUSEHOLDER, UP TO 63A

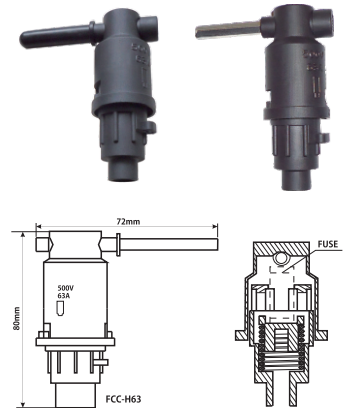
FCC model has been designed to connect consumers between the low-voltage overhead distribution lines and service, being able to connect conductors of 1.5 to 16 mm² (AWG16-5).

FCC allows connection of the fuse NEZD with a stainless steel spring, flat copper tinned contacts ensure safe and proper connection.

The FCC is weatherproof, is available in two versions, horizontal and vertical (V). The base model is equipped with a FCC crimpable terminal for connection to the customer and a contact line isolated for easy installation on main lines with insulation piercing connector(IPC).

FCC can be used as a protection device, using fuses or as a point of connection and disconnection point using a contact element copper or plastic.This represents a great advantage over other products because there is no need eliminate to fixed, or cut the net, and since it is difficult for the user to turn on the pole for possible fraud with the connection.

The FCC model has the ability to put the seals or cable tie to ensure a secure connection.



TYPE	Discription
FCC-H	Upto 63A,1KV,Horizontal,Insulated
FCC-V	Upto 63A,1KV,Vertical,Insulated
FCC-HB	Upto 63A,1KV,Horizontal,Bare
FCC-VB	Upto 63A,1KV,Vertical,Bare



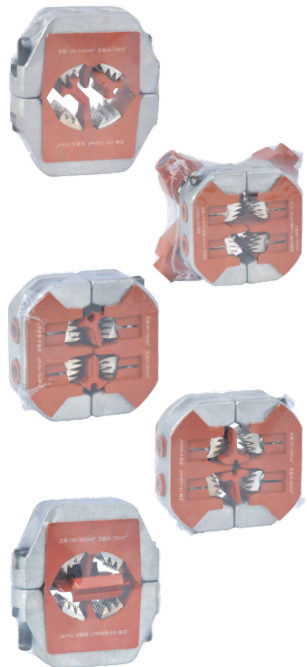
B111 LOW VOLTAGE SURGE ARRESTERS 220/380[230/400V]



LSA surge arrester composes an active element a varistor being manufactured according to advanced technology of ceramic material based on zinc oxide(ZnO) with other metal oxides additives which being precisely dosed forms semiconductor surface layers on zinc oxide crystals and stabilised the voltage-current characteristics of a varistor.

Type	continuous operating voltage U _c =280V	Nominal discharge current 8/20 μs I _n	Maximum discharge current 8/20 μs I _{max}	Voltage protection level U _p	U _p /U _c
	[V _{rms}]	[kA]	[kA]	[V _{peak}]	-
LSA.A280.5	280	5	30	1110	4.0
LSA.A440.5	440			1750	
LSA.A500.5	500			1990	
LSA.A660.5	660			2650	
LSA.A280.10	280			10	
LSA.A440.10	440	1750			
LSA.A500.10	500	1990			
LSA.A660.10	660	2650			

B112 UNDERGROUND RING TYPE TAP-OFF CONNECTOR



DISCRIPTION:4-core or 3-1/2 core ring type tap-off connector with IP2X protection and piercing retardant system.

One the clamp ring is pressembled on the main conductor the plastic housing offer full protectin against touching live contact teeth (finger test),test to EN60529. During pressembly on the main conductor the contact protection system detects early contact of the contact teeth via the predetermined breaking point to ensure a large operational safety during tap-off conductor assembly.

MATERIAL: High strength AL alloy (AlMgSi), corrosion-resistant, Contacts in brass (CuZn),electro-tinned, insulation parts are glassfiber reinforced PA, screws are steel, grade8.8.

Type	Conductor		Conductor	
	Main	Tap	Main	Tap
	mm2	mm2	mm2	mm2
UTC-1	RM 50-70	RM 6-50	RE 70-95	RE 6-70
UTC-2	RM 70-120	RM 6-50	RE 95-150	RE 95-150
UTC-3	RM 95-120	SM 35-120	RE 120-150	SE 50-150
		RM 10-95		RE 16-120
UTC-4	RM 150-185	RM 6-70	RE150-240	RE 6-70
UTC-5	RM185-240	RM 6-70		RE 6-70

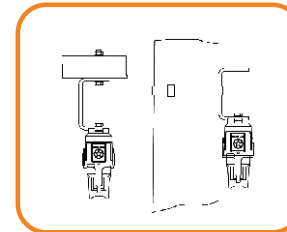
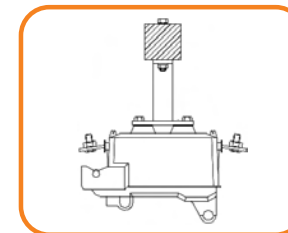
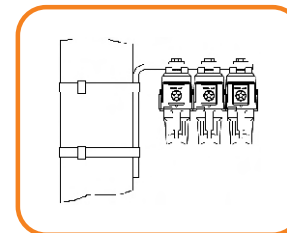
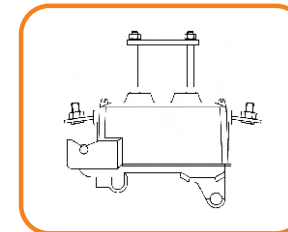
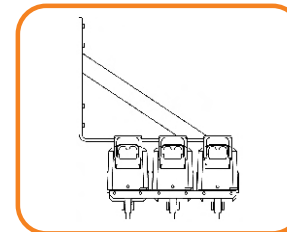
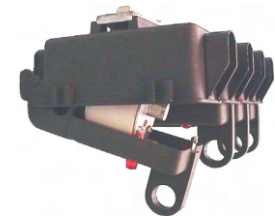
rm=round standed, sm= sector stranded, re= round solid, se= sector solid

B113 SINGLE PHASE SWITCH FOR NH FUSE

The FS fuse switch it is used either as an operation or protection device for LV line. It is designed to be used with NH0, NH1-2-3 size fuse offering a maximum of 630Amp of line protection without blades.

Standard: IEC 60947

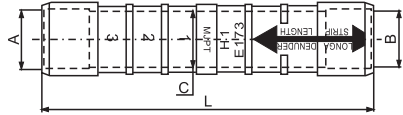
Technical Data	Type	FS160A	FS630A
Use for fuse type		NH00	NH1,NH2,NH3
Voltage		500V	500V
Insulation level		1000V	1000V
Frequency		50/60Hz	50/60Hz
Operacional current with fuses		160A	630A
with blades		250A	800A
Catagory		AC 22B	AC 22B
Short time current(1s)		3,2 kA	12 kA
Dinamic current(crest)		25 kA	50 kA
Interruption capacity		100 kA	100 kA
Protection degree		IP24	IP24



B114 PRE-INSULATED SLEEVE MJPT , BIMETAL SLEEVE CPTAU

Material: Aluminum alloy

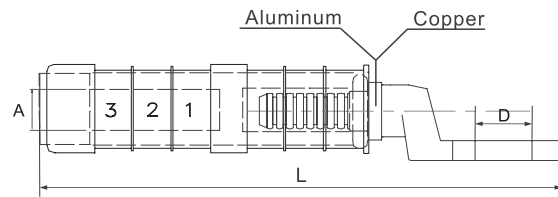
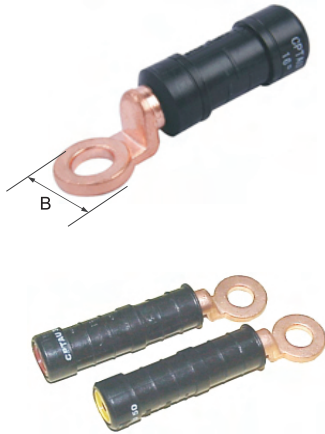
Product Property: MJPT is designed to connect the insulated cable (include ABC cable) in aerial distribution network. It is in accordance with NFC33-021. The sleeve is with some tension. And its cap can prevent the water into the barrel. It is colored differently to distinguish the cable sizes. Marked With type, cable size, die size, inner cable length and number of crimping.



Type	Cable Size (mm ²)		Plastic Sleeve Diameter(mm)	Length (mm)	Color
	A	B			
MJPT 16/16	16	16	17.3	70	Blue
MJPT 25/25	25	25	17.3	70	Orange
MJPT 35/35	35	35	21	99.5	Red
MJPT 50/50	50	50	21	99.5	Yellow
MJPT 70/70	70	70	21	99.5	White
MJPT 95/95	95	95	23.5	137	Gray

Material: E-Cu; AL-99.6%

Product property: CPTAU is designed to connect the insulated cable (include ABC cable). It is in accordance with NFC33-021. The waterproof cap can prevent the water into the barrel. It is colored differently to distinguish the cable sizes. It is marked with type, cable size, die size, inner cable length and number of crimping



Type	Plastic Sleeve Diameter(mm)				Color
	A	B	D	L	
CPTAU16-10	16	20	10.5	73	Blue
CPTAU25-12	20	24	13	98.5	Orange
CPTAU35-12	20	24	13	98.5	Red
CPTAU50-12	20	24	13	98.5	Yellow
CPTAU54.6-12	20	24	13	98.5	White
CPTAU70-12	20	24	13	98.5	Gray
CPTAU95-12	20	24	13	98.5	

B115 INSULATED FASTEN CLAMP

PRODUCT DESCRIPTION:

FC P(A)- xx

FC= Fasten clamp ; P=Plastic ; A=Aluminum alloy; xx= insulator code.

Fasten clamp are use for fastening the insulator on the conductor in 11KV or below 11KV.

PRODUCT RANGE:

TYPE	VOLTAGE (kV)	CONDUCTOR (mm ²)	DIMENSION (mm)			REMARKS
			A	B	C	
FCP-P20			Φ106	200	180	Body: weather resistant plastic
FCP-P15	<= 11kV	25~240mm ²	Φ84	160	130	
FCP-PS15			Φ66	153	120	
FCA-P20			Φ106	178	157	Body: aluminum alloy
FCA-P15	<= 11kV	25~240mm ²	Φ84	160	135	
FCA-PS15			Φ66	146	117	
FCA-PSN	20kV	25~240mm ²	Φ76	170	150	Insulator: PSN-170/12.5S

USED MATERIALS:

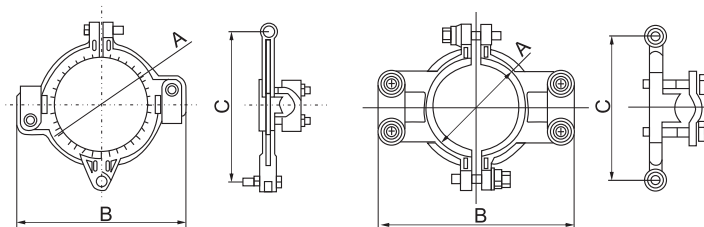
High intensity aluminum- alloy or high strength plastic.

VARIANTS:

The product is manufactured and supplied in modification's as is showed upwards in PRODUCT RANGE.

STORAGE AND TRANSPORT:

Product do not have any specific requirements on storage. It is fire-resistant and it is not dangerous.



FCP

FCA



B

B115 INSULATED FASTEN CLAMP

PRODUCT DESCRIPTION:

PT x a/b
 PT= Piercing tap connector ; x= bolt number ;
 a=max size of main conductor; b= max size of tap conductor.
 Insulation piercing tap connector is T- connection of low voltage insulation wire service and cable branch connection for building distribution system.

PRODUCT RANGE:

Type	Main Conductor (mm ²)	Tap Conductor (mm ²)
PT 1 25/25	16-25	4-25
PT 1 70/25	35-70	6-25
PT 2 70/70	35-70	35-70
PT 1 95/50	35-95	4-50
PT 1 150/50	30-150	4-50
PT 2 150/50	70-150	4-50

USED MATERIALS:

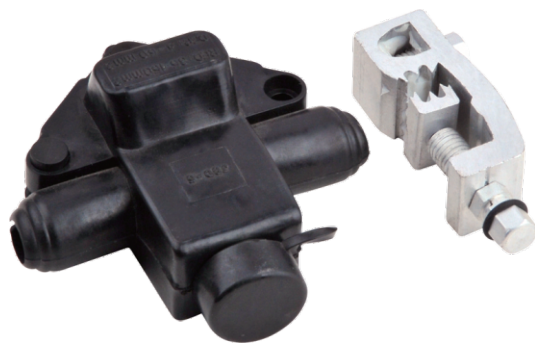
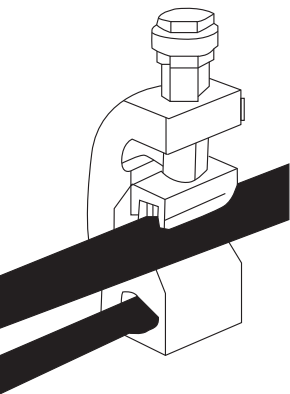
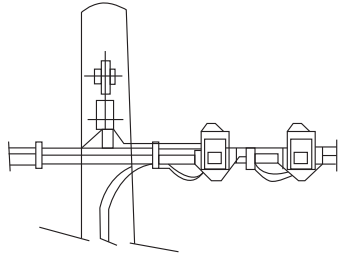
High intensity aluminum- alloy with PVC cover.

VARIANTS:

The product is manufactured and supplied in modification's as is showed upwards in PRODUCT RANGE.

STORAGE AND TRANSPORT:

Product do not have any specific requirements on storage. It is fire-resistant and it is not dangerous.



B

B116 LOW VOLTAGE EARTHING ADAPTER FOR PIERCING CONNECTOR

DISCRIPTION:

LVE-adapters are installed on the tap-off side of an insulation piercing connector (Type PCT or IPC, see section B103-106) , usually close to the end of a line or at intersections.

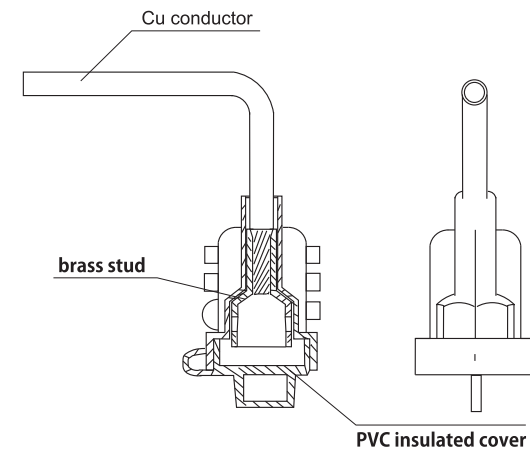
The insulating cover is removed for access to the inside brass stud fitted with a bayonet lock. A hole drilled into the stud provides a reliable point of contact for voltage testing. The connecting to earth is done by an insulated earthing equipment.

PRODUCT RANGE:

Suitable for all piercing connector designed for ta conductor of 25sqmm. (dia.:9mm) Designed for short circuit currents up to 4 kA/1s, permanent currents up to 200A. Stud dimension: 11mm, length 35mm, Hole 4mm.

USED MATERIAL:

UV & weather resistant cover, stud made of brass.



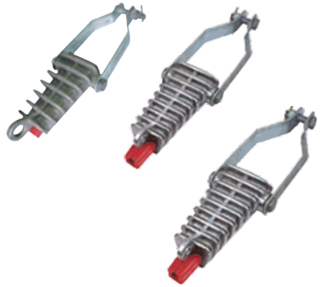
B201 STRAIN CLAMP WEDGE TYPE NXL (1-10KV)



DESCRIPTION: NXL Series strain clamp (wedge type) is suitable for distribution wire up to 10kV, fixing the aerial insulation aluminium conductor or naked aluminium conductor on the rotate angle or insulator of terminal strain pol.

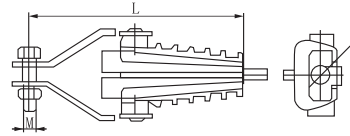
Type size	section(mm ²)		Length (mm)	Grip strength (kN)		Failure load (kN)	Insulation cover type
	Bare conductor	Insulated conductor		Bare	Insulated		
NXL-1	50	-	245	5.16	3.4	14.5	NXL-95
	70	-		7.12	4.6		
	95	-		9.4	6.7		
NXL-2	120	35-70	255	12.7	8.9	23.4	NXL-150
	150			15.2	11.3		
NXL-3	185	70-120	300	18.5	13.6	36.3	NXL-240
	240			23.6	17.3		
NXL-4	300-400	150-240	320	55	22.5	61	-
NXL-5	-	300-400	350	65	30.3	68	-

B202 STRAIN CLAMP PAD TYPE NXJ-Q

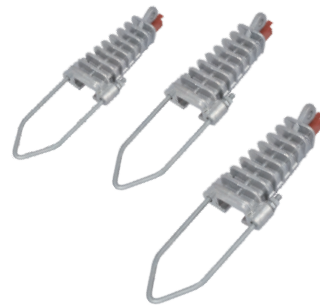


DESCRIPTION: for 10kV aerial insulation aluminium core wire terminal or two ends fixing and tighten.

Type	Specification (mm ²)	Aerial insulation aluminium conductor/1kV	Aerial insulation aluminium conductor/10kV	Grip strength (kN)	Failure load (kN)
		Dia(mm)	Dia(mm)		
NXJ-1Q	25	8.4	14.8	2.5	10.5
	35	9.8	15.8	3.4	
	50	11.2	17.1	4.6	
	70	12.8	18.8	6.7	
NXJ-2Q	50	11.2	17.1	4.6	34.7
	70	12.8	18.8	6.7	
	95	14.8	20.4	8.9	
NXJ-3Q	120	16.2	21.8	11.3	43.4
	150	18.2	23.4	13.6	
	185	20.2	25	17.3	
	240	22.6	27.2	22.5	

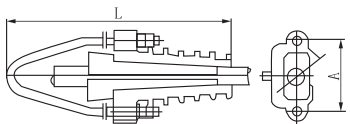


B203 STRAIN CLAMP ROPE TYPE NXJ



DESCRIPTION: for 10kV aerial insulation aluminium core wire terminal or two ends fixing and tighten.

Strain clamps type	Specification (mm ²)	Aerial insulation aluminium conductor/1kV	Aerial insulation aluminium conductor/10kV	Grip strength (kN)	Failure load (kN)
		Dia(mm)	Dia(mm)		
NXJ-1	35	9.8	15.8	3.4	13.7
	50	11.2	17.1	4.6	
NXJ-2	70	12.8	18.8	6.7	34.7
	95	14.8	20.4	8.9	
NXJ-3	120	16.2	21.8	11.3	43.4
	150	18.2	23.4	13.6	
NXJ-4	185	20.2	25	17.3	43.4
	240	22.6	27.2	22.5	
	300		29.4	28.2	



B204 NX, NUT CONNECTOR



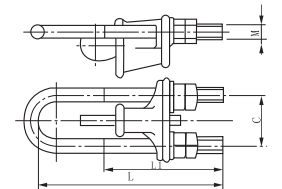
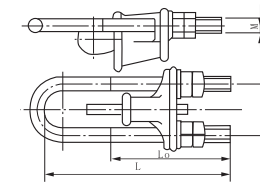
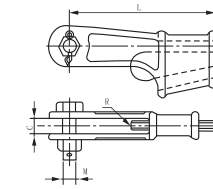
NX



NUT



NU



Parameters of NUT connectors

Type	Steel Wire Dia (mm)	Dimensions(mm)				Rated failure load(kN)	Weight (kg)
		C	M	L	L1		
NUT-1	6.6-7.8	56	16	350	200	45	2.10
NUT-2	9.0-11.0	62	18	430	250	88	3.20
NUT-3	13.0-14.0	74	22	500	300	143	5.40
NUT-4	15.0-16.0	82	24	580	300	164	7.20

Parameters of NU connectors

Type	Steel Wire Dia (mm)	Dimensions(mm)				Rated failure load(kN)	Weight (kg)
		C	M	L	L0		
NU-1	6.6-7.8	56	16	290	70	45	1.92
NU-2	9.0-11.0	62	18	290	70	88	2.61
NU-3	13.0-14.0	74	22	290	60	143	4.21
NU-4	15.0-16.0	82	24	340	70	164	7.27

Parameters of NX connectors

Type	Steel Wire Dia (mm)	Dimensions(mm)				Rated failure load(kN)	Weight (kg)
		C	M	L	R		
NX-1	6.6-7.8	18	16	150	6.0	45	1.19
NX-2	9.0-11.0	20	18	180	7.3	88	1.76
NX-3	13.0-14.0	24	24	200	7.3	143	3.20
NX-4	15.0-16.0	28	27	220	8.0	164	5.30

B211 ALUMINIUM ALLOY STRAIN CLAMP BOLT TYPE

Product description:

Aluminium Alloy strain clamp (Bolt type) is suitable for aerial line up to 10 kv, fixing aluminium wire or steel core aluminium wire on the strain pole, aerial insulation aluminium conductor.

Product range:

Type	Cable Diameter (mm)	U bolt No.	Breaking Load (KN)	Insulated Conductor Size (mm ²)	
				1KV	10KV
2S5.16-N16	5 to 10	2×M12	40	25-70	10-25
2S10.14-N16	10 to 14	2×M12	40	50-120	25-50
3S14.18-N16	14 to 18	3×M14	70	120-240	70-120
3S18.23-N16	18 to 23	3×M14	90	185-300	150-240
5S23.29-N16	23-29	5×M16	100		300

Used materials:

Hi-conductivity aluminium alloy, stainless steel clip, Hot dip galvanized steel bolts.

Variants:

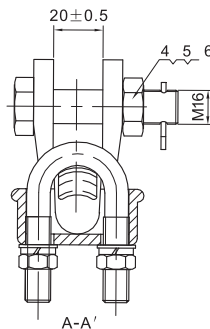
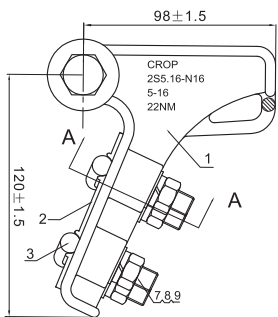
The product is manufactured and supplied in this form only.

Packing:

Carton dimensions: 390x280x235.
 Contain 30Pcs
 Weight: 450g/pcs.
 Netto: 21.55kg.
 Brutto: 22kg.

Storage and transport:

Product don't have and specific requirements on storage.



Position.item-material

- 1.Body-Aluminium Alloy
- 2.Press pad-Aluminium Alloy
- 3.U bolt-H.D.G steel
- 4.M16×60 He×bolt-H.D.G steel
- 5.Hex Nut M16-H.D.G steel
- 6.Clip-stainless steel
- 7.Flat washer-H.D.G steel
- 8.Spring washer-H.D.G steel
- 9.Hex Nut M12-H.D.G steel

B312 ANCHOR CLAMP

aANWx.yOY

a= Number of core; AN= Anchor clamp; W= Wedge type; OY=Marks of this clamp.
 x= Min.section of conductor;y=Max.section of conductor

Four Core Anchor clamps are design to anchor self supporting LV.ABC from 2 to 4 cores, the wedge can be self-adjusting. Pilot wires or street lighting conductor are led alongside the clamp.

The self opening is featured by an integrate spring facilities for easily insert the conductor in to the clamp.

PRODUCT RANGE:

2ANW10.35	2×10-35	4
4ANW10.35	4×10-35	4
2ANW10.35-SS	2×10-35	4
4ANW10.35-SS	4×10-35	4
AN-PA25-FA	2×16-35	3
AN-PA25-SS	2×16-35	4

USED MATERIALS:

Hi-conductivity aluminium UV & fire resistant plastic, hot dip galvanized steel stripe.

VARIANTS:

The product is manufactured and supplied in this form only.

PACKING:

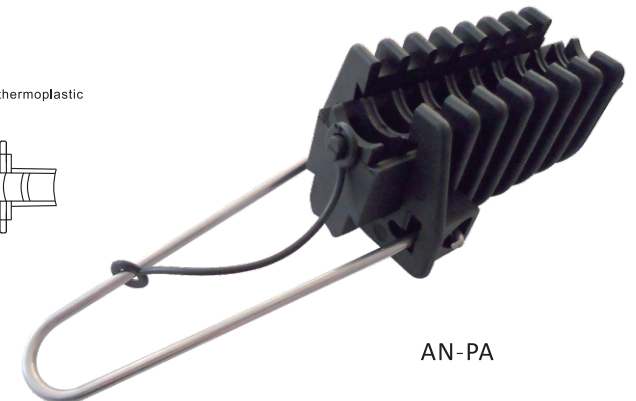
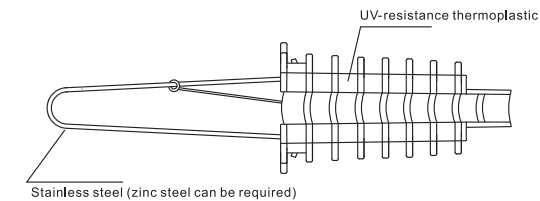
Standard package for transport. or according to customer requirement.

STORAGE AND TRANSPORT:

Product don't have and specific requirements on storage. Its is fire-resistan and its not dangerous



ANW



AN-PA

B313 ANCHORING CLAMP 2(4)AN 10.35

Product description:

xANa.b(B)S

x: core of conductor, AN: anchor clamp, a: min section of conductor , b: max section of conductor

B: small branch S:strip type

Anchoring clamps and their range are designed to cover most common overhead cable sizes. The body of a clamp is made from glass fiber reinforced polyamid and on the outer side are installed steel sheets only or steel sheets and aluminum alloy covered and making it easy to install the clamp to any kind of anchoring point.

Product range:

Type	Cable range (mm2)	Strength (KN)
2AN10.35	2×10-35	6
4AN10.35	4×10-35	6

Used materials:

Anti UV themoplastic, Hot dip galvanized steel bolts & Spring, Aluminum alloy covered pad.

Variants:

The product is manufactured and supplied in this form only.

Packing:

Carton dimensions: 240×180×170

Contain 120Pcs 80Pcs

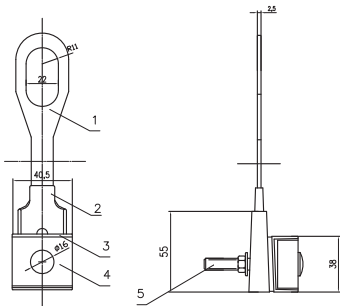
Weight: 75 g/pcs. 112.5 g/pcs

Netto: 10kg.

Brutto: 9 kg.

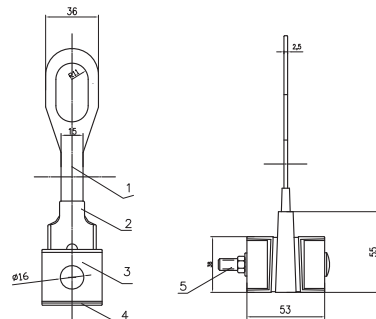
Storage and transport:

Product don't have and specific requirements on storage.



Position. Item-material

1. FLAT LINK - H.D.G.STEEL
2. FLAT COVER - Pa66
3. BODY - Pa66
4. BODY COVER - STEEL
5. SCREW &NUT-H.D.G.STEEL



B314 ANCHORING CLAMP 4AN50.120(B)

Product description:

xANa.b(B)S

x: core of conductor, AN: anchor clamp , a: min section of conductor, b: max section of conductor B: small branch S:strip type

Anchoring clamps and their range are designed to cover most common overhead cable sizes. The body of a clamp is made from glass fiber reinforced polyamid and on the outer side are installed steel sheets only or steel sheets and stainless wire for better flexibility and making it easy to install the clamp to any kind of anchoring point.

Product range:

Type	Cable range (mm2)	Strength (KN)
4AN16.35S	4×10-35	15
4AN50.120S	4×50-120	32
4AN50.120BS	4×50-120+2×10-35	32

Materials:

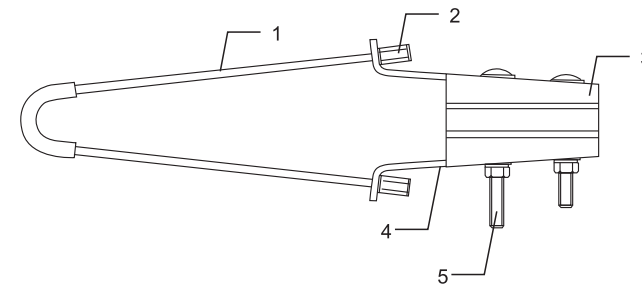
Anti-UV polyamid with fbg, H.D.G. steel, stainless steel rope.

Packing:

	4AN16.50S	4AN16.120S	4AN16.120BS
Carton DIM (cm):	34×32×25	45×35×18	51×35×18
Contents (pcs):	40	25	25
Weight:	0.75 kg	1.055 kg	1.183 kg
Net weight:	30 kg	24 kg	26 kg
Gross weight:	31 kg	25 kg	27 kg

Storage and transport:

Product does not have any specific storage requirements. It is fire resistant and non-hazardous.



Position. Item-material

1. Rope - H.D.G.STEEL or stainless STEEL
2. Closed end - AL.ALLOY
3. BODY - PA66
4. BODY COVER - STEEL
5. SCREW &NUT-H.D.G.STEEL

B315 FOUR CORE DEAD END CLAMP (ANCHOR CLAMP | TENSION CLAMP)

Product discription:

aANx.y
 a= Number of core; AN= Anchor clamp;
 x= Min.section of conductor; y=Max.section of conductor
 Four Core Anchor clamps are design to anchor self supporting LV.ABC from 2 to 4 cores, the wedge can be self-adjusting. Pilot wires or street lighting conductor are led alongside the clamp. The self opening is featured by an integrate spring facilities for easily insert the conductor in to the clamp.

Product range:

Type	Cross Section (mm ²)	Bolt	Weight (kg)	Strength (KN)
2AN16.50	2×16-50	M12	0.650	15
4AN16.50	4×16-50	M12	1.050	32
2AN50.120	2×50-120	M12	0.950	15
4AN50.120	4×50-120	M12	1.232	32

Used materials:

The wedge are made of weather & UV resistant fiberglass reinforced plastic ensuring ferrous parts are hot dip galvanized steel.

Variants:

The product is manufactured and supplied in this form only.

Packing:

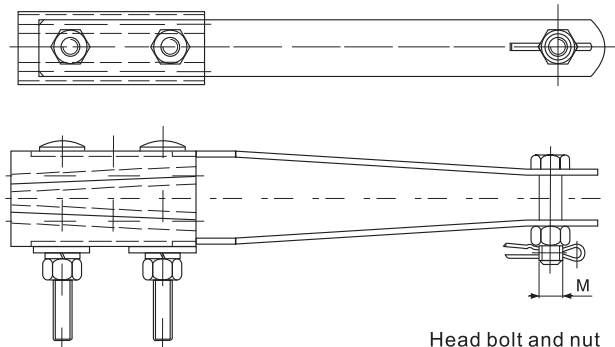
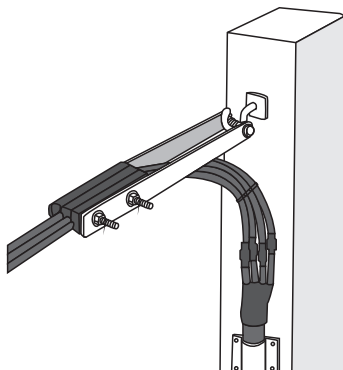
Standard package for transport. or according to customer requirement.

Storage and transport:

Product don't have and specific requirements on storage. Its is fire-resistan and its not dangerous.

Material

1. Wedge - themosplastic
2. Sheet - H.D.G steel
3. Bolt - H.D.G steel
4. Clips- Stainless steel



Head bolt and nut should be required.

B316 ANCHOR CLAMP WITH BARCKET



NFC33 041

Anchor clamp | tension clamp:

ACNMx-y
 a= Number of core; AN= Anchor clamp;
 x= Min.section of conductor; y=Max.section of conductor
 One Core Anchor clamps are design to anchor self supporting LV.ABC from 2 to 4 cores, the wedge can be self-adjusting. Pilot wires or street lighting conductor are led alongside the clamp. The self opening is featured by an integrate spring facilities for easily insert the conductor in to the clamp.

Product range:

Type	Cable range (mm ²)	Strength (KN)
1AN16.35.SS	16-35	15
1AN50.70.SS	50-70	15
1AN95-120.SS	95-120	11
BR 03	50-70	15

Used materials:

Hi-conductivity aluminium UV & fire resistant plastic, hot dip galvanized steel stripe.

Variants:

The product is manufactured and supplied in this form only.

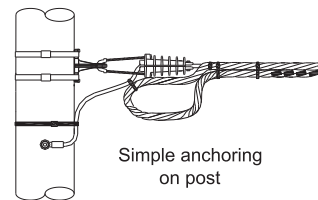
Packing:

Standard package for transport. or according to customer requirement.

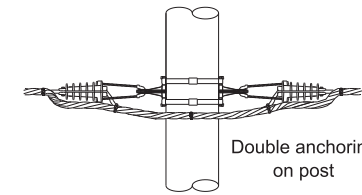
Storage and transport:

Product don't have and specific requirements on storage. Its is fire-resistan and its not dangerous.

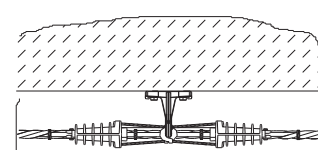
Drawing:



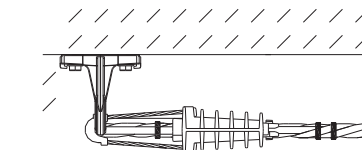
Simple anchoring on post



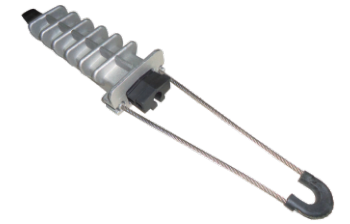
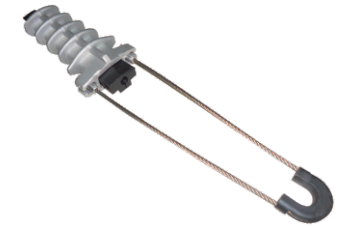
Double anchoring on post



Double anchoring over facade



Simple anchoring over facade



BR 3

B317 ANCHOR CLAMP

Product description:

One Core Anchor clamps are design to supporting the neutral messenger, the wedge can be self-adjusting. Pilot wires or street lighting conductor are led alongside the clamp. The self opening is featured by an integrate spring facilities for easily insert the conductor in to the clamp.

Product range:

Type	Cable range (mm ²)	Strength (KN)
AC-PA25-SS	16-25	6
AC-PA1500-SS	50-70	10
AC-PA2000-SS	95-120	15
AC-PA25-FA	16-25	8
AC-PA1500-FA	50-70	15
AC-PA2000-FA	95-120	20

Used materials:

The wedge are made of weather & UV resistant fiberglass reinforced plastic ensuring. ferrous parts are hot dip galvanized steel.

Storage and transport:

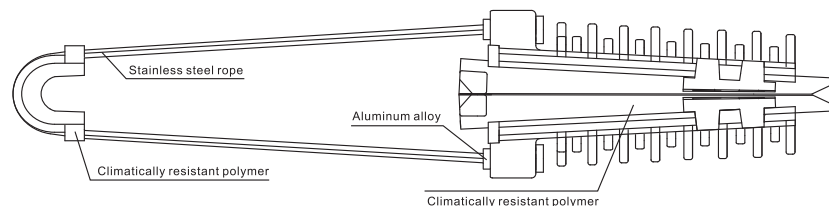
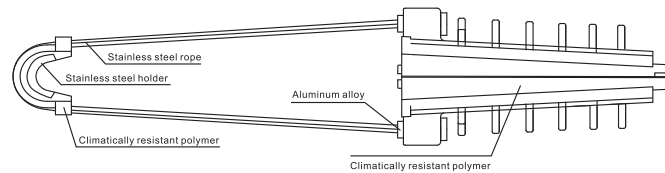
Product don't have and specific requirements on storage. Its is fire-resistan and its not dangerous

Variants:

The product is manufactured and supplied in this form only.

Packing:

Standard package for transport or according to customer requirement.



B401 SUSPENSION CLAMP SU-UNI SERIES

Product description

Universal clamp SU-UNI is made from high-strenght aluminum and it can be used for most frequented cross section of overhead insulated wires. Insert part is designed as installing clamp and after is screw tight, as suspension clamp.

Product range:

Guaranted strenght 10kN; Slip ~15kN; Point of deformation ~28kN; Installation angle maximally 30°.

Type	Cable range (mm ²)	Strength (KN)
SU-UNI	2-4x16-120	20
SU-UNI-HDUTY	2-4x16-120	40

Materials:

SU-UNI: High strenght aluminum, anti Uv thermoplastic.

Storage and transport:

This product does not have and specific storage requirements.



Packing:

Carton dimensions: 460x260x280mm
Contain: 50ks
Weight: 480g /ks
N.W: 24 kg
G.W: 25 kg



B402 SUSPENSION CLAMP SU SERIES

Product description:

Suspension clamp SU are designed to anchor insulated overhead lines on support places, usually hooks.
Clamps are made from H.D.G. steel and inside is inserted soft insert part, which hold cable against move.

Product range:

Guaranteed strength 10kN; Slip ~15kN; Point of deformation ~28kN; Installation angle maximally 30°.

Type	Cable range (mm ²)	Strength (KN)
SU-Mini10.35	2-4×10-35	10
SU-Mini50.95	4×50-95	15
SU-Max120.150	4×120-150	20

Materials:

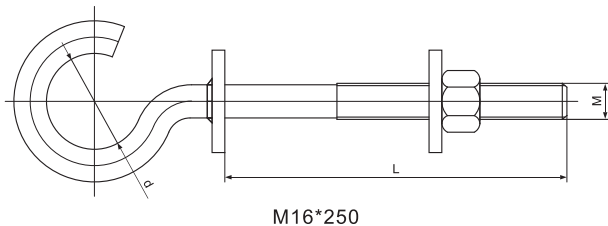
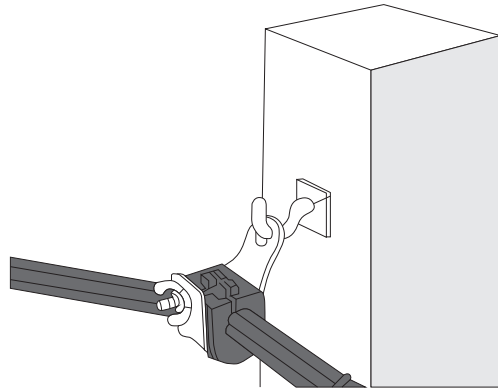
SU-xxx: Anti UV thermoplastic, H.D.G. steel.

Variants:

The product is manufactured and supplied as is showed in PRODUCT RANGE.

Storage and transport:

This product does not have and specific storage requirements.



Packing:

Carton dimensions: 460x260x280mm
Contain: 50ks
Weight: 480g/ks
N.W: 24 kg
G.W: 25 kg

B404 SUSPENSION CLAMP SC SERIES

aSCx.y

a= Number of core; SC= Suspension clamp;

x= Min.section of conductor; y=Max.section of conductor

Suspension clamps are design to self support LV.ABC from 1 to 4 cores, the angle can be self-adjusting. Pilot wires or street light onductor are led alongside the clamp. The self opening is featured by an integrate spring facilities for easily insert the conductor in to the clamp.

Product range:

Type	Cable range (mm ²)	Strength (KN)
1SC25.95	25-95	15
1SC25.95-Fr	25-95	15
1SC25.95+BR1		
1SC25.95-Fr+BR2		

Used materials:

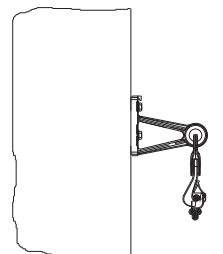
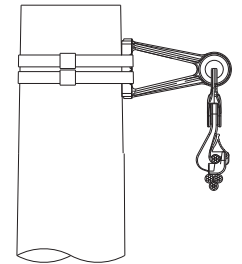
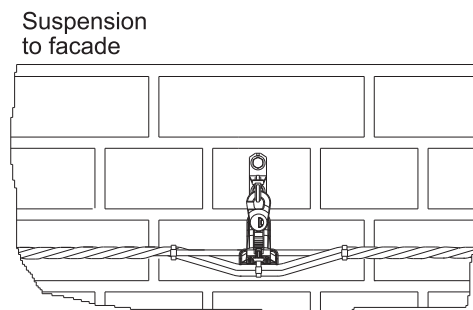
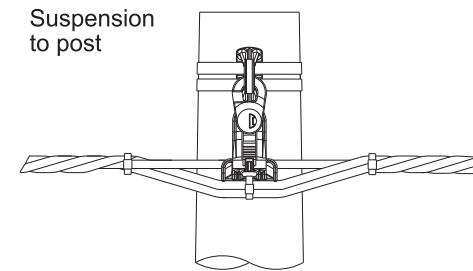
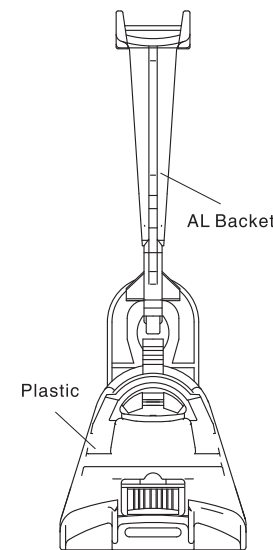
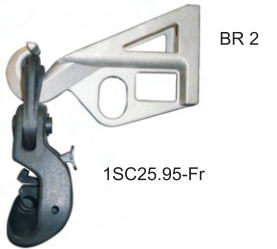
The wedge are made of weather & UV resistant fiberglass reinforced plastic ensuring. ferrous parts are hot dip galvanized steel.

Variants:

The product is manufactured and supplied in this form only.

Packing:

Standard package for transport. or according to customer requirement.



Storage and transport:

Product don't have and specific requirements on storage. Its is fire-resistan and its not dangerous.

B500 LIVE LINE CONNECTOR CRLLC

Product description:

Life Line Connector (LLC) is a product with a wide range of applications. It can be used- to replace open pole mounted disconnectors, for connection on tension poles, as a short-circuit connector, for connection of branching network, during under voltage work, andalsi for worker protection against accidental reconnecting of a disabled network.

LLC is suitable for use with all kinds of conductors listed in the below mentioned PRODUCT RANGE table. When it is combined with an isolated conductor on tap side, then it complies with bird protection requirements and is considered as a bird friendly connection.

LLC is constructed for voltage up to 36 kV, and it can be used to connect two medium voltage networks by utilizing a Cu or Al isolated conductor on tap side. The connector can be reused several times without damaging the wires.

Thanks to its low weight installation is easy- and fast with Live Line Stick. Guiding lug(1) ensures the guiding of the main wire to the correct position. Also, the wire nut (2) keeps stable the position on the stick during the closing and tightening of the LLC. This guarantees both perfect electrical contact and correct positioning on the wire. Protection against accidental over-tightening is guaranteed by set of shear heads. Only Minimal maintenance is needed- the tightening of the screws is to be checked periodically. Operating temperature • -30 / +70 Celsius. Lifetime expectation • 35 years.

LLC1 a LLC2 can be used same way as LLC, just orientation is horizontal only and they can be also used for strong connection of electrical devices. All devices are resistant against vibrations.

Product range:

Tap and Main for bare, Cu, Al, *AlFe & ACSR.

TYPE	MAIN mm ²	TAP mm ²
CRLLC	16-133	10-95
CRLLC1	70-150	70-150
CRLLC2	16-150	16-95

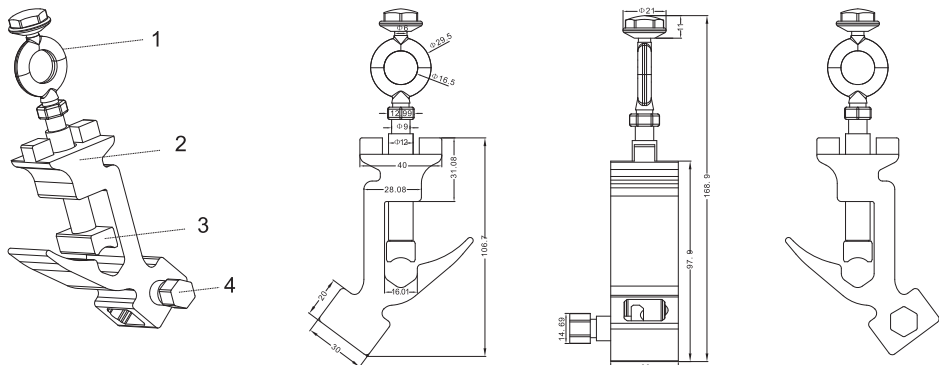
Materials:

High strength aluminum alloy for body.
Surface treated aluminum bolt, with torque screw heads.



Position. Item - material

1. Main Bolt: Aluminum alloy
2. Main Body: Aluminum alloy
3. Press Pad: Aluminum alloy
4. Branch Bolt: Aluminum alloy



B501 LIVE LINE CONNECTOR



Description:

Cast aluminum hot line clamps are used on high voltage line to clamp the brass or aluminum line.

Product range:

Tap and Main for bare, Cu, Al, *AlFe & ACSR.

CODE	A/MAN	ATWFG
LLC1520	8 sol-2/0 str cu	8 sol-2/0 str cu
LLC1520P	8 sol-2/0 str cu	8 sol-2/0 str cu
LLC1520A	8 sol-2/0 str al	8 sol-2/0 str al/ cu
LLC1520AP	8 sol-2/0 str cu	8 sol-2/0 str al/ cu
LLC1530	6 sol-400 MCM cu	6 sol-4/0 str cu
LLC1530P	6 sol-400 MCM cu	6 sol-4/0 str cu
LLC1530A	6 ACSR-336.4 MCM al	6 sol-4/0 str al/ cu
LLC1530AP	6 ACSR-336.4 MCM al	6 sol-4/0 str al/ cu
LLC1540A	4/0 ACSR-800 MCM al	4sol-350 MCM al/cu
LLC1540AP	4/0 ACSR-800 MCM al	4sol-350 MCM al/cu
LLC1540	4/0 ACSR-800 MCM cu	4sol-350 MCM cu
LLC1540P	4/0 ACSR-800 MCM cu	4sol-350 MCM cu
LLC3-A25.50	25-50mm ²	Copper tinned ring
LLC3-A70.185	70-185mm ²	Copper tinned ring
LLC3-B25.50	25-50mm ²	Copper tinned ring
LLC3-B70.185	70-185mm ²	Copper tinned ring

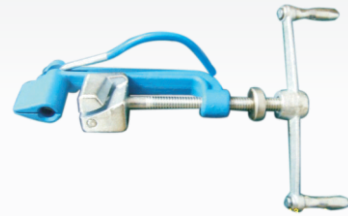
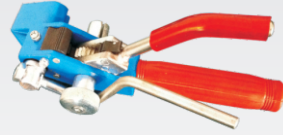


B550 COME ALONG CLAMP



For insulated cable and non-insulated cable

B570 TIGHTENING TOOL STT



For stainless steel strap

B560 IPC KEY



B571 CABLE TIE GUNS



B580 CRIMPING TOOLS



L series for ferrules

LY series for ferrules

LX series for ferrules

LSC series for ferrules

B590 WEDGE CONNECTOR TOOL

APPLICATION:

CRC-TU series Wedge Connector Installing Tools, use for installing CRC series Wedge Connector , CRC-1, CRC-2, CRC-3, CRC-4

CRC-TUA (-1-2) for CRC-1, CRC-2 "C" sharp Wedge Connector
CRC-TUB (-3-4) for CRC-3, CRC-4 "C" sharp Wedge Connector

Cylinder tools, easy installing way.

STORAGE AND TRANSPORT:

Tools have cylinder inside of main body, do not open the sealing if the oil are not empty. beside it there is no other specific storage requirements.



CRC-TU-1-2
CRC-TU-3-4

B591 H COMPRESSION CONNECTOR TOOL

APPLICATION:

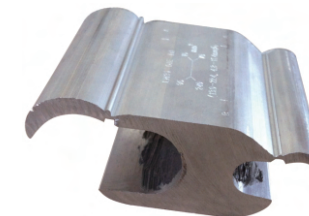
CRH-TU "H" Compression connector tools For installing CRH series "H" compression connector.

with 3 sets compression die: 0-0, 1-2, 3-5

Cylinder function , easy installing way.

STORAGE AND TRANSPORT:

Tools have cylinder inside of main body, do not open the sealing if the oil are not empty. beside it there is no other specific storage requirements.



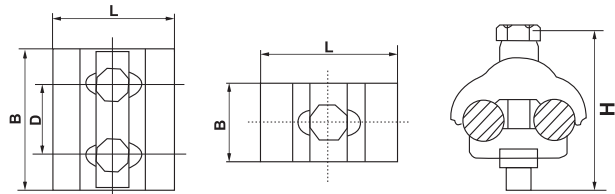
CRH-TU

B600 PARALLEL GROOVE CLAMP PG660 PG661

Aluminum Parallel-Groove Clamp (PG 660)

Use for aluminum to aluminum conductor

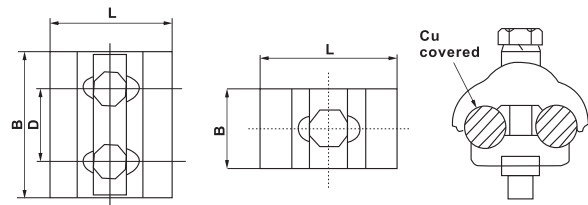
TYPE	PRODUCT RANGE (sqmm)	DIMENSION (mm)				Bolt No.
		B	L	H	M	
PG660-11	16~70	25	35	40	8	1
PG660-12	16~150	30	47	45	8	1
PG660-21	16~35	34	28	35	8	2
PG660-22	16~70	40	42	45	8	2
PG660-23	16~150	50	45	50	8	2
PG660-24	25~185	62	58	60	10	2
PG660-31	16~70	60	42	45	10	3
PG660-32	16~150	75	45	50	10	3
PG660-33	25~240	93	58	60	10	3
PG660-34	35~300	105	65	70	10	3



Be-Metallic Parallel-Groove Clamp (PG 661)

Use for aluminum to copper conductor

TYPE	PRODUCT RANGE (sqmm)		DIMENSION (mm)				Bolt No.
	RUN-Cu	TAP-AL	B	L	H	M	
PG661-11	6~50	16~70	25	42	40	8	1
PG661-12	10~95	25~150	30	47	45	8	1
PG661-21	6~50	16~70	40	42	45	8	2
PG661-22	10~95	25~150	50	46	50	8	2
PG661-23	25~185	35~200	64	58	60	10	2
PG661-31	6~50	16~70	45	42	40	10	3
PG661-32	10~95	25~150	55	47	45	10	3
PG661-33	25~185	35~240	93	58	60	10	3
PG661-34	35~240	35~300	105	65	70	10	3



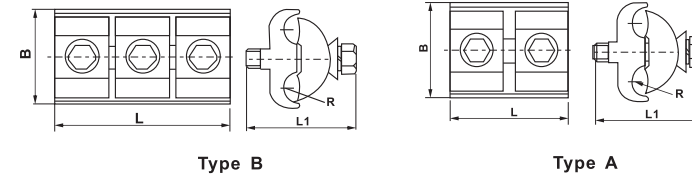
B601 PARALLEL GROOVE CLAMP PG571

Parallel groove clamp multiple center bolts (PG 571)

Use for aluminum conductor to aluminum conductor connection.

TYPE	PRODUCT RANGE (sqmm)	DIMENSION (mm)		
		L	B	R
PG571-0A	16~70	42	36	5.5
PG571-1A	16~120	45	44	7
PG571-1B	16~120	70	44	7
PG571-2A	50~240	50	62.5	10.5
PG571-2B	50~240	70	62.5	10.5

A= 2 bolts ; B= 3 bolts.
Tinned body can be required.
default body aluminum alloy.



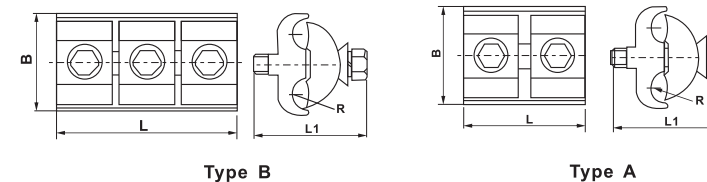
Parallel Groove Clamp Insulated Cover- PGCC

B601 PARALLEL GROOVE CLAMP PG571

Parallel groove clamp multiple center bolts (PG 571)

Use for aluminum conductor to aluminum conductor connection.

TYPE	PRODUCT RANGE (sqmm)	DIMENSION (mm)		
		L	B	L1
PG571L-0	10~70	22	37.5	50
PG571L-0A	10~70	44	37.5	50
PG571L-0B	10~70	67	37.5	50
PG571L-1	16~120	22	45	55
PG571L-1A	16~120	44	45	55
PG571L-1B	16~120	67	45	55

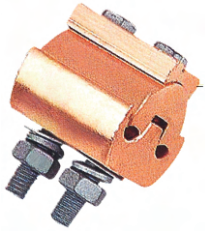


A= 2 bolts ; B= 3 bolts.
Tinned body can be required.
default body aluminum alloy.

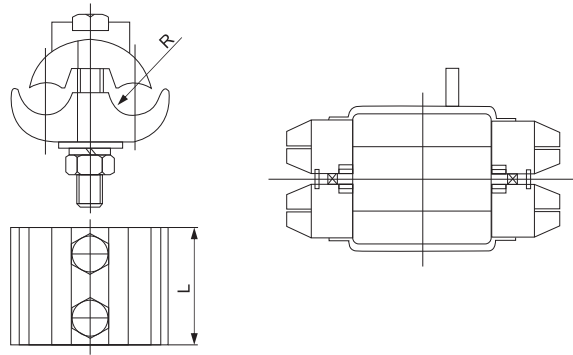
B602 PARALLEL GROOVE CLAMP PG010 JBT

Copper Parallel Groove Clamp

Use for copper conductor to copper conductor connection.



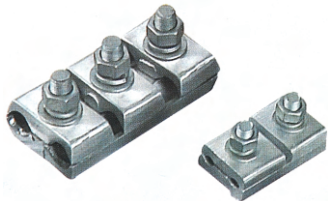
Type	Range of applicable lead (mm ²)	Dimensions(mm)		
		L	A	R
JBT-16-120	16-120	45	45	7.5
JBT-50-240	50-240	45	62	10.5



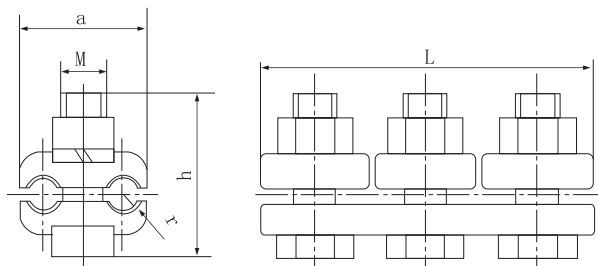
B602 PARALLEL GROOVE CLAMP PGJBL

Aluminum Parallel-Groove Clamp

Use for aluminum conductor to aluminum conductor connection.



Type	Range of applicable lead (mm ²)	Dimensions(mm)				
		A	M	L	R	B
JBL-0	16~25	38	10	72	3.5	40
JBL-1	35~50	45	12	80	5	45
JBL-2	70~95	52	12	112	7	50
JBL-3	120~150	62	16	140	8.9	65
JBL-4	185~240	71	16	142	11	65



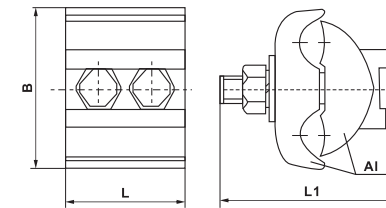
B602 GARALLEL GROOVE CLAMP PG010

Parallel groove clamp multiple center bolts (PG 010)

Use for aluminum conductor to aluminum conductor connection.

TYPE	PRODUCT RANGE (sqmm)	DIMENSION (mm)		
		L	B	R
PG010-1A	16~120	45	45	7.5
PG010-1B	16~120	70	45	7.5
PG010-2A	50~240	50	60	10.5
PG010-2B	50~240	70	60	10.5

A= 2 bolts; B= 3 bolts.
Tinned body can be required.
default body aluminum alloy.



Parallel Groove Clamp Insulated Cover- PGCC

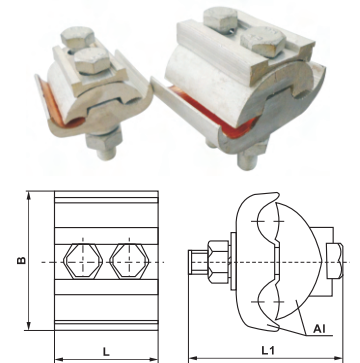
B602 PARALLEL GROOVE CLAMP PG010 CA

Parallel groove clamp multiple center bolts (PG 010 CA)

Use for aluminum conductor to copper conductor connection.

TYPE	PRODUCT RANGE (sqmm)	DIMENSION (mm)		
		L	B	R
PG010-1A(CA)	10~120	46	45	7.5
PG010-2A(CA)	50~240	46	60	10.5

A= 2 bolts, CA= series code.



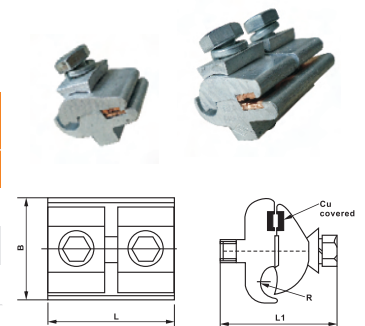
B603 PARALLEL GROOVE CLAMP PG603

Parallel groove clamp multiple center bolts (PG 480)

Use for aluminum conductor to copper conductor connection.

TYPE	PRODUCT RANGE (sqmm)		DIMENSION (mm)		
	Al	Cu	L	B	R
PG480-0A	6-50	2.5-10	25	40	6
PG480-1B	16-50	2.5-35	40	40	6
PG480-2B	16-120	6-35	40	43	7

A= 2 bolts, B= 3 bolts.

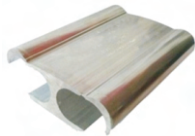


B610 COMPRESSION TAP CONNECTOR H TYPE CRH SERIES

B



CRH



Silicone Rubber Cover CRHZ

Product description:

For ACRS, aluminum and/or copper conductors in various dead end terminals. For cable taps and earth grid ring mains. Sector-shaped conductors must be rounded with round-forming dies.

TYPE	Specification				Pressing Connection			Silicone Rubber
	Main conductor		Tap conductor		Press Mold	Times	Length (mm+1)	cover TYPE
	Diameter (mm)	Cross section (mm ²)	Diameter (mm)	Cross section (mm ²)				
CRH11	4.8-8.2	16-35	4.8-8.2	16-35	0-0	2	44	CRHZ-1
CRH21	8.3-14.0	50-95	4.8-9.6	16-50	1-2	3	63	CRHZ-2
CRH22	8.3-14.0	50-95	8.3-14.0	50-95	1-2	3	63	CRHZ-2
CRH31	13.0-22.4	95-240	4.8-11.4	16-70	3-5	3	63	CRHZ-2
CRH32	13.0-22.4	95-240	11.6-16.0	70-150	3-5	3	63	CRHZ-2
CRH41	16.2-22.4	150-240	16.2-22.4	150-240	3-5	4	114	CRHZ-3
CRH51	22.4-25.9	300-400	10.0-14.5	70-120	3-5	3	89	CRHZ-3
CRH52	22.4-25.9	300-400	14.6-18.0	120-185	3-5	3	89	CRHZ-3
CRH53	22.4-25.9	300-400	18.9-22.4	185-240	3-5	4	118	CRHZ-3
CRH54	22.4-25.9	300-400	22.4-25.9	300-400	3-5	4	118	CRHZ-3

Used materials:

Aluminum Alloy

Variants:

The product is manufactured and supplied in modifications as following page. Special range can be required.

Storage and transport:

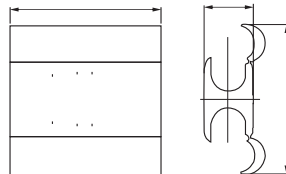
Product do not have any specific storage requirements. Its is fire resistant and non-hazardous.

Accessories for your choose if you need:

* Rubber cover for your choose: CRHZ;



H connector instead of PG clamp



Type	Dimension(mm)			Groove A		Groove B	
	L	W	H	O.D	mm2	O.D	mm2
CRH11	44	41.5	15	4.8-8.2	16-35	4.8-8.2	16-35
CRH21	63	58	22	8.3-14.0	50-95	4.8-9.6	16-50
CRH22	63	63	21	8.3-14.0	50-95	8.3-14.0	50-95
CRH31	63	80	32	13.0-22.4	95-240	4.8-11.4	16-70
CRH32	63	83	32	13.0-22.4	95-240	11.6-16.0	70-150
CRH41	114	90	32	16.2-22.7	150-240	16.2-22.4	150-240

B611 WEDGE CONNECTOR WITH GROUNDING RINGS

B

B611 wedge connector crc

Product description:

CRC-x a/b
CRC : CROP C Connector ; x: Type Number of C body
a: Main conductor in mm² , b: Tap conductor in mm²

The "C-Ring" and wedge Connector are used to connect solid and stranded aluminum, aluminum alloy and stranded aluminum composite conductors including AAC, AAAC, ACSR, ACAR, AW, ACSR/AW, and ACSS. They may also be used in non-corrosive environments to connect copper conductors.

Used materials:

Aluminum Alloy, Polystyrene Cover, Aluminum ring or copper tinned ring. Undergrounding ring: diameter 10mm

Variants:

The product is manufactured and supplied in modifications as following page. Special range can be required.

Storage and transport:

Product do not have any specific storage requirements. Its is fire resistant and non-hazardous.

Accessories for your choose if you need:

- * Undergrounding Rings for your choose: Ring12 for CRC-1 and CRC-2, Ring34 for CRC-3 and CRC-4;
- * Plastic cover for your choose : JXL12 for CRC-1 and CRC-2, JXL34 for CRC-3 and CRC-4;
- * Rubber cover for your choose: JXR12 for CRC-1 and CRC-2, JXR34 for CRC-3 and CRC-4;
- * IP67 Cover for water sensitive connections: MBX1 for CRC-1 and CRC-2; MBX3 for CRC-3 and CRC-4;



CRC-1, CRC-2



B612

Ring12 for CRC-1, CRC-2



B612

Ring34 for CRC-3, CRC-4

B615 WEDGE CONNECTOR COVER

Product description:

JXLx JXRx
x: Type Number of C body
x = 1, 2, 3 4

L: Plastic R: Rubber

The Wedge connector cover for CRC Wedge connector .

* If want to 100% sealing, should use together with Magic gel.

Used materials: anti uv plastic, rubber

- * Plastic cover for your choose : JXL12 for CRC-1 and CRC-2, JXL34 for CRC-3 and CRC-4;
- * Rubber cover for your choose: JXR12 for CRC-1 and CRC-2, JXR34 for CRC-3 and CRC-4;

Variants:

The product is manufactured and supplied in modifications as following page. Special range can be required.

Storage and transport:

Product do not have any specific storage requirements. Its is fire resistant and non-hazardous.



B

B

Wedge connector selection table for Aluminium Conductor Steel Reinforced - ACSR

Cross section	Type of cable																												
	Turkey	Thrush	Swan	Swallow	Sparrow	Robin	Raven	Quail	Pigeon	Penguin	Waxwing	Owl	Partridge	Ostrich	Merlin	Linnet	Oriole	Chickadee	Brant	Ibis	Lark	Pelican	Flicker	Hawk	Hen	Osprey			
Type of cable	AWG																												
	kcmil	6	5	4	3	2	1	1/0	2/0	3/0	4/0	266.8	266.8	266.8	300	336.4	336.4	336.4	397.5	397.5	397.5	397.5	477	477	477	477	556.5		
	mm2	15.5	19.6	24.7	31.1	39.3	49.5	62.5	78.6	99.2	125.1	142.6	152.7	157.2	176.7	179.9	198	210.3	212.5	227.5	234	248.5	255.1	273.1	280.8	298.1	297.5		
	Overall diameter mm	5	5.7	6.4	7.1	8	9	10.1	11.4	12.7	14.3	15.5	16.1	16.3	17.3	17.4	18.3	18.8	18.9	19.6	19.9	20.5	20.7	21.5	21.8	22.3	22.4		
Turkey	6	15.5	5	CRC-1																									
Thrush	5	19.6	5.7	CRC-1	CRC-1																								
Swan	4	24.7	6.4	CRC-1	CRC-1	CRC-1																							
Swallow	3	31.1	7.1	CRC-1	CRC-1	CRC-1	CRC-1																						
Sparrow	2	39.3	8	CRC-1	CRC-1	CRC-1	CRC-1	CRC-1																					
Robin	1	49.5	9	CRC-1	CRC-1	CRC-1	CRC-1	CRC-1	CRC-1																				
Raven	1/0	62.5	10.1	CRC-1	CRC-1	CRC-1	CRC-1	CRC-1	CRC-1	CRC-1																			
Quail	2/0	78.6	11.4	CRC-1	CRC-1	CRC-1	CRC-1	CRC-1	CRC-1	CRC-1	CRC-1																		
Pigeon	3/0	99.2	12.7	CRC-1	CRC-1	CRC-1	CRC-1	CRC-1	CRC-1	CRC-1	CRC-1	CRC-1																	
Penguin	4/0	125.1	14.3	CRC-1	CRC-1	CRC-1	CRC-1	CRC-1	CRC-1	CRC-1	CRC-1	CRC-1	CRC-1																
Waxwing	266.8	142.6	15.5	CRC-2	CRC-2	CRC-2	CRC-2	CRC-2	CRC-2	CRC-2	CRC-2	CRC-2	CRC-2	CRC-2	CRC-2	CRC-2	CRC-2	CRC-2	CRC-2	CRC-2	CRC-2	CRC-2	CRC-2	CRC-2	CRC-2	CRC-2	CRC-2		
Owl	266.8	152.7	16.1	CRC-3	CRC-3	CRC-3	CRC-3	CRC-3	CRC-3	CRC-3	CRC-3	CRC-3	CRC-3	CRC-3	CRC-3	CRC-3	CRC-3	CRC-3	CRC-3	CRC-3	CRC-3	CRC-3	CRC-3	CRC-3	CRC-3	CRC-3	CRC-3		
Partridge	266.8	157.2	16.3	CRC-3	CRC-3	CRC-3	CRC-3	CRC-3	CRC-3	CRC-3	CRC-3	CRC-3	CRC-3	CRC-3	CRC-3	CRC-3	CRC-3	CRC-3	CRC-3	CRC-3	CRC-3	CRC-3	CRC-3	CRC-3	CRC-3	CRC-3	CRC-3		
Ostrich	300	176.7	17.3	CRC-3	CRC-3	CRC-3	CRC-3	CRC-3	CRC-3	CRC-3	CRC-3	CRC-3	CRC-3	CRC-3	CRC-3	CRC-3	CRC-3	CRC-3	CRC-3	CRC-3	CRC-3	CRC-3	CRC-3	CRC-3	CRC-3	CRC-3	CRC-3		
Merlin	336.4	179.9	17.4	CRC-3	CRC-3	CRC-3	CRC-3	CRC-3	CRC-3	CRC-3	CRC-3	CRC-3	CRC-3	CRC-3	CRC-3	CRC-3	CRC-3	CRC-3	CRC-3	CRC-3	CRC-3	CRC-3	CRC-3	CRC-3	CRC-3	CRC-3	CRC-3		
Linnet	336.4	198	18.3	CRC-3	CRC-3	CRC-3	CRC-3	CRC-3	CRC-3	CRC-3	CRC-3	CRC-3	CRC-3	CRC-3	CRC-3	CRC-3	CRC-3	CRC-3	CRC-3	CRC-3	CRC-3	CRC-3	CRC-3	CRC-3	CRC-3	CRC-3	CRC-3		
Oriole	336.4	210.3	18.8	CRC-3	CRC-3	CRC-3	CRC-3	CRC-3	CRC-3	CRC-3	CRC-3	CRC-3	CRC-3	CRC-3	CRC-3	CRC-3	CRC-3	CRC-3	CRC-3	CRC-3	CRC-3	CRC-3	CRC-3	CRC-3	CRC-3	CRC-3	CRC-3		
Chickadee	397.5	212.5	18.9	CRC-3	CRC-3	CRC-3	CRC-3	CRC-3	CRC-3	CRC-3	CRC-3	CRC-3	CRC-3	CRC-3	CRC-3	CRC-3	CRC-3	CRC-3	CRC-3	CRC-3	CRC-3	CRC-3	CRC-3	CRC-3	CRC-3	CRC-3	CRC-3		
Brant	397.5	227.5	19.6	CRC-3	CRC-3	CRC-3	CRC-3	CRC-3	CRC-3	CRC-3	CRC-3	CRC-3	CRC-3	CRC-3	CRC-3	CRC-3	CRC-3	CRC-3	CRC-3	CRC-3	CRC-3	CRC-3	CRC-3	CRC-3	CRC-3	CRC-3	CRC-3		
Ibis	397.5	234	19.9	CRC-3	CRC-3	CRC-3	CRC-3	CRC-3	CRC-3	CRC-3	CRC-3	CRC-3	CRC-3	CRC-3	CRC-3	CRC-3	CRC-3	CRC-3	CRC-3	CRC-3	CRC-3	CRC-3	CRC-3	CRC-3	CRC-3	CRC-3	CRC-3		
Lark	397.5	248.5	20.5	CRC-4	CRC-4	CRC-4	CRC-4	CRC-4	CRC-4	CRC-4	CRC-4	CRC-4	CRC-4	CRC-4	CRC-4	CRC-4	CRC-4	CRC-4	CRC-4	CRC-4	CRC-4	CRC-4	CRC-4	CRC-4	CRC-4	CRC-4	CRC-4		
Pelican	477	255.1	20.7	CRC-4	CRC-4	CRC-4	CRC-4	CRC-4	CRC-4	CRC-4	CRC-4	CRC-4	CRC-4	CRC-4	CRC-4	CRC-4	CRC-4	CRC-4	CRC-4	CRC-4	CRC-4	CRC-4	CRC-4	CRC-4	CRC-4	CRC-4	CRC-4		
Flicker	477	273.1	21.5	CRC-4	CRC-4	CRC-4	CRC-4	CRC-4	CRC-4	CRC-4	CRC-4	CRC-4	CRC-4	CRC-4	CRC-4	CRC-4	CRC-4	CRC-4	CRC-4	CRC-4	CRC-4	CRC-4	CRC-4	CRC-4	CRC-4	CRC-4	CRC-4		
Hawk	477	280.8	21.8	CRC-4	CRC-4	CRC-4	CRC-4	CRC-4	CRC-4	CRC-4	CRC-4	CRC-4	CRC-4	CRC-4	CRC-4	CRC-4	CRC-4	CRC-4	CRC-4	CRC-4	CRC-4	CRC-4	CRC-4	CRC-4	CRC-4	CRC-4	CRC-4		
Hen	477	298.1	22.3	CRC-4	CRC-4	CRC-4	CRC-4	CRC-4	CRC-4	CRC-4	CRC-4	CRC-4	CRC-4	CRC-4	CRC-4	CRC-4	CRC-4	CRC-4	CRC-4	CRC-4	CRC-4	CRC-4	CRC-4	CRC-4	CRC-4	CRC-4	CRC-4		
Osprey	556.5	297.5	22.4	CRC-4	CRC-4	CRC-4	CRC-4	CRC-4	CRC-4	CRC-4	CRC-4	CRC-4	CRC-4	CRC-4	CRC-4	CRC-4	CRC-4	CRC-4	CRC-4	CRC-4	CRC-4	CRC-4	CRC-4	CRC-4	CRC-4	CRC-4	CRC-4		

B

Wedge connector selection table for Aluminum Alloy Conductor AAAC

B

Cross section	Type of cable																									
	Akron	Alton	63.36MCM	Ames	105.6MCM	Azusa	133.1MCM	Anaheim	167.8MCM	Amherst	211.6MCM	Alliance	250MCM	300MCM	Butte	350MCM	Canton	400MCM	450MCM	Cairo	500MCM	550MCM	Darien			
Type of cable	AWG	30.6 48.7 63.4 77.5 105.6 123.3 133.1 155.4 167.8 195.7 211.6 246.9 250 300 312.8 350 394.5 400 450 465.4 500 550 559.5																								
	kcmil	30.6 48.7 63.4 77.5 105.6 123.3 133.1 155.4 167.8 195.7 211.6 246.9 250 300 312.8 350 394.5 400 450 465.4 500 550 559.5																								
	mm2	15.5 24.7 33.6 39.3 53.5 62.5 67.5 78.6 85 99.2 107.3 125.1 126.7 152.1 158.5 177.3 199.9 202.7 228 235.8 253.3 278.6 283.5																								
		Overall diameter mm	5 6.4 7.4 8 9.4 10.1 10.5 11.4 11.8 12.7 13.3 14.3 14.6 16 16.3 17.2 18.3 18.4 19.6 19.9 20.6 21.7 21.8																							
Akron	30.6	15.5	5	CRC-1																						
Alton	48.7	24.7	6.4	CRC-1	CRC-1																					
63.36MCM	63.4	33.6	7.4	CRC-1	CRC-1	CRC-1																				
Ames	77.5	39.3	8	CRC-1	CRC-1	CRC-1	CRC-1																			
105.6MCM	105.6	53.5	9.4	CRC-1	CRC-1	CRC-1	CRC-1	CRC-1																		
Azusa	123.3	62.5	10.1	CRC-1	CRC-1	CRC-1	CRC-1	CRC-1	CRC-1																	
133.1MCM	133.1	67.5	10.5	CRC-1	CRC-1	CRC-1	CRC-1	CRC-1	CRC-1	CRC-1																
Anaheim	155.4	78.6	11.4	CRC-1	CRC-1	CRC-1	CRC-1	CRC-1	CRC-1	CRC-1	CRC-1															
167.8MCM	167.8	85	11.8	CRC-1	CRC-1	CRC-1	CRC-1	CRC-1	CRC-1	CRC-1	CRC-1	CRC-1														
Amherst	195.7	99.2	12.7	CRC-1	CRC-1	CRC-1	CRC-1	CRC-1	CRC-1	CRC-1	CRC-1	CRC-1	CRC-1													
211.6MCM	211.6	107.3	13.3	CRC-1	CRC-1	CRC-1	CRC-1	CRC-1	CRC-1	CRC-1	CRC-1	CRC-1	CRC-1	CRC-1												
Alliance	246.9	125.1	14.3	CRC-1	CRC-1	CRC-1	CRC-1	CRC-1	CRC-1	CRC-1	CRC-1	CRC-1	CRC-1	CRC-1	CRC-1											
250MCM	250	126.7	14.6	CRC-2	CRC-2	CRC-2	CRC-2	CRC-2	CRC-2	CRC-2	CRC-2	CRC-2	CRC-2	CRC-2	CRC-2											
300MCM	300	152.1	16	CRC-3	CRC-3	CRC-3	CRC-3	CRC-3	CRC-3	CRC-3	CRC-3	CRC-3	CRC-3	CRC-3	CRC-3	CRC-3										
Butte	312.8	158.5	16.3	CRC-3	CRC-3	CRC-3	CRC-3	CRC-3	CRC-3	CRC-3	CRC-3	CRC-3	CRC-3	CRC-3	CRC-3	CRC-3	CRC-3									
350MCM	350	177.3	17.2	CRC-3	CRC-3	CRC-3	CRC-3	CRC-3	CRC-3	CRC-3	CRC-3	CRC-3	CRC-3	CRC-3	CRC-3	CRC-3	CRC-3	CRC-3								
Canton	394.5	199.9	18.3	CRC-3	CRC-3	CRC-3	CRC-3	CRC-3	CRC-3	CRC-3	CRC-3	CRC-3	CRC-3	CRC-3	CRC-3	CRC-3	CRC-3	CRC-3	CRC-3							
400MCM	400	202.7	18.4	CRC-3	CRC-3	CRC-3	CRC-3	CRC-3	CRC-3	CRC-3	CRC-3	CRC-3	CRC-3	CRC-3	CRC-3	CRC-3	CRC-3	CRC-3	CRC-3	CRC-3						
450MCM	450	228	19.6	CRC-3	CRC-3	CRC-3	CRC-3	CRC-3	CRC-3	CRC-3	CRC-3	CRC-3	CRC-3	CRC-3	CRC-3	CRC-3	CRC-3	CRC-3	CRC-3	CRC-3	CRC-3					
Cairo	465.4	235.8	19.9	CRC-3	CRC-3	CRC-3	CRC-3	CRC-3	CRC-3	CRC-3	CRC-3	CRC-3	CRC-3	CRC-3	CRC-3	CRC-3	CRC-3	CRC-3	CRC-3	CRC-3	CRC-3	CRC-3				
500MCM	500	253.3	20.6	CRC-4	CRC-4	CRC-4	CRC-4	CRC-4	CRC-4	CRC-4	CRC-4	CRC-4	CRC-4	CRC-4	CRC-4	CRC-4	CRC-4	CRC-4	CRC-4	CRC-4	CRC-4	CRC-4	CRC-4			
550MCM	550	278.6	21.7	CRC-4	CRC-4	CRC-4	CRC-4	CRC-4	CRC-4	CRC-4	CRC-4	CRC-4	CRC-4	CRC-4	CRC-4	CRC-4	CRC-4	CRC-4	CRC-4	CRC-4	CRC-4	CRC-4	CRC-4	CRC-4		
Darien	559.5	283.5	21.8	CRC-4	CRC-4	CRC-4	CRC-4	CRC-4	CRC-4	CRC-4	CRC-4	CRC-4	CRC-4	CRC-4	CRC-4	CRC-4	CRC-4	CRC-4	CRC-4	CRC-4	CRC-4	CRC-4	CRC-4	CRC-4	CRC-4	

B

B

Wedge connector selection table for Aluminum Alloy Conductor AAC to Aluminium Conductor Steel Reinforced ACSR

Cross section	Type of cable	Akron	Alton	63.36MCM	Ames	105.6MCM	Azusa	133.1MCM	Anaheim	167.8MCM	Amherst	211.6MCM	Alliance	250MCM	300MCM	Butte	350MCM	Canton	400MCM	450MCM	Cairo	500MCM	550MCM	Darien		
		AWG	kcmil	30.6	48.7	63.4	77.5	105.6	123.3	133.1	155.4	167.8	195.7	211.6	246.9	250	300	312.8	350	394.5	400	450	465.4	500	550	559.5
Type of cable	mm2	Overall diameter mm																								
		15.5	24.7	33.6	39.3	53.5	62.5	67.5	78.6	85	99.2	107.3	125.1	126.7	152.1	158.5	177.3	199.9	202.7	228	235.8	253.3	278.6	283.5		
		5	6.4	7.4	8	9.4	10.1	10.5	11.4	11.8	12.7	13.3	14.3	14.6	16	16.3	17.2	18.3	18.4	19.6	19.9	20.6	21.7	21.8		
Turkey	6	15.5	5	CRC-1	CRC-1	CRC-1	CRC-1	CRC-1	CRC-1	CRC-1	CRC-1	CRC-1	CRC-1	CRC-1	CRC-1	CRC-1	CRC-1	CRC-1	CRC-1	CRC-1	CRC-1	CRC-1	CRC-1	CRC-1	CRC-1	
Thrush	5	19.6	5.7	CRC-1	CRC-1	CRC-1	CRC-1	CRC-1	CRC-1	CRC-1	CRC-1	CRC-1	CRC-1	CRC-1	CRC-1	CRC-1	CRC-1	CRC-1	CRC-1	CRC-1	CRC-1	CRC-1	CRC-1	CRC-1	CRC-1	
Swan	4	24.7	6.4	CRC-1	CRC-1	CRC-1	CRC-1	CRC-1	CRC-1	CRC-1	CRC-1	CRC-1	CRC-1	CRC-1	CRC-1	CRC-1	CRC-1	CRC-1	CRC-1	CRC-1	CRC-1	CRC-1	CRC-1	CRC-1	CRC-1	
Swallow	3	31.1	7.1	CRC-1	CRC-1	CRC-1	CRC-1	CRC-1	CRC-1	CRC-1	CRC-1	CRC-1	CRC-1	CRC-1	CRC-1	CRC-1	CRC-1	CRC-1	CRC-1	CRC-1	CRC-1	CRC-1	CRC-1	CRC-1	CRC-1	
Sparrow	2	39.3	8	CRC-1	CRC-1	CRC-1	CRC-1	CRC-1	CRC-1	CRC-1	CRC-1	CRC-1	CRC-1	CRC-1	CRC-1	CRC-1	CRC-1	CRC-1	CRC-1	CRC-1	CRC-1	CRC-1	CRC-1	CRC-1	CRC-1	
Robin	1	49.5	9	CRC-1	CRC-1	CRC-1	CRC-1	CRC-1	CRC-1	CRC-1	CRC-1	CRC-1	CRC-1	CRC-1	CRC-1	CRC-1	CRC-1	CRC-1	CRC-1	CRC-1	CRC-1	CRC-1	CRC-1	CRC-1	CRC-1	
Raven	1/0	62.5	10.1	CRC-1	CRC-1	CRC-1	CRC-1	CRC-1	CRC-1	CRC-1	CRC-1	CRC-1	CRC-1	CRC-1	CRC-1	CRC-1	CRC-1	CRC-1	CRC-1	CRC-1	CRC-1	CRC-1	CRC-1	CRC-1	CRC-1	
Quail	2/0	78.6	11.4	CRC-1	CRC-1	CRC-1	CRC-1	CRC-1	CRC-1	CRC-1	CRC-1	CRC-1	CRC-1	CRC-1	CRC-1	CRC-1	CRC-1	CRC-1	CRC-1	CRC-1	CRC-1	CRC-1	CRC-1	CRC-1	CRC-1	
Pigeon	3/0	99.2	12.7	CRC-1	CRC-1	CRC-1	CRC-1	CRC-1	CRC-1	CRC-1	CRC-1	CRC-1	CRC-1	CRC-1	CRC-1	CRC-1	CRC-1	CRC-1	CRC-1	CRC-1	CRC-1	CRC-1	CRC-1	CRC-1	CRC-1	
Penguin	4/0	125.1	14.3	CRC-1	CRC-1	CRC-1	CRC-1	CRC-1	CRC-1	CRC-1	CRC-1	CRC-1	CRC-1	CRC-1	CRC-1	CRC-1	CRC-1	CRC-1	CRC-1	CRC-1	CRC-1	CRC-1	CRC-1	CRC-1	CRC-1	
Waxwing	266.8	142.6	15.5	CRC-2	CRC-2	CRC-2	CRC-2	CRC-2	CRC-2	CRC-2	CRC-2	CRC-2	CRC-2	CRC-2	CRC-2	CRC-2	CRC-2	CRC-2	CRC-2	CRC-2	CRC-2	CRC-2	CRC-2	CRC-2	CRC-2	
Owl	266.8	152.7	16.1	CRC-3	CRC-3	CRC-3	CRC-3	CRC-3	CRC-3	CRC-3	CRC-3	CRC-3	CRC-3	CRC-3	CRC-3	CRC-3	CRC-3	CRC-3	CRC-3	CRC-3	CRC-3	CRC-3	CRC-3	CRC-3	CRC-3	
Partidge	266.8	157.2	16.3	CRC-3	CRC-3	CRC-3	CRC-3	CRC-3	CRC-3	CRC-3	CRC-3	CRC-3	CRC-3	CRC-3	CRC-3	CRC-3	CRC-3	CRC-3	CRC-3	CRC-3	CRC-3	CRC-3	CRC-3	CRC-3	CRC-3	
Ostrich	300	176.7	17.3	CRC-3	CRC-3	CRC-3	CRC-3	CRC-3	CRC-3	CRC-3	CRC-3	CRC-3	CRC-3	CRC-3	CRC-3	CRC-3	CRC-3	CRC-3	CRC-3	CRC-3	CRC-3	CRC-3	CRC-3	CRC-3	CRC-3	
Merlin	336.4	179.9	17.4	CRC-3	CRC-3	CRC-3	CRC-3	CRC-3	CRC-3	CRC-3	CRC-3	CRC-3	CRC-3	CRC-3	CRC-3	CRC-3	CRC-3	CRC-3	CRC-3	CRC-3	CRC-3	CRC-3	CRC-3	CRC-3	CRC-3	
Linnet	336.4	198	18.3	CRC-3	CRC-3	CRC-3	CRC-3	CRC-3	CRC-3	CRC-3	CRC-3	CRC-3	CRC-3	CRC-3	CRC-3	CRC-3	CRC-3	CRC-3	CRC-3	CRC-3	CRC-3	CRC-3	CRC-3	CRC-3	CRC-3	
Oriole	336.4	210.3	18.8	CRC-3	CRC-3	CRC-3	CRC-3	CRC-3	CRC-3	CRC-3	CRC-3	CRC-3	CRC-3	CRC-3	CRC-3	CRC-3	CRC-3	CRC-3	CRC-3	CRC-3	CRC-3	CRC-3	CRC-3	CRC-3	CRC-3	
Chickadee	397.5	212.5	18.9	CRC-3	CRC-3	CRC-3	CRC-3	CRC-3	CRC-3	CRC-3	CRC-3	CRC-3	CRC-3	CRC-3	CRC-3	CRC-3	CRC-3	CRC-3	CRC-3	CRC-3	CRC-3	CRC-3	CRC-3	CRC-3	CRC-3	
Brant	397.5	227.5	19.6	CRC-3	CRC-3	CRC-3	CRC-3	CRC-3	CRC-3	CRC-3	CRC-3	CRC-3	CRC-3	CRC-3	CRC-3	CRC-3	CRC-3	CRC-3	CRC-3	CRC-3	CRC-3	CRC-3	CRC-3	CRC-3	CRC-3	
Ibis	397.5	234	19.9	CRC-3	CRC-3	CRC-3	CRC-3	CRC-3	CRC-3	CRC-3	CRC-3	CRC-3	CRC-3	CRC-3	CRC-3	CRC-3	CRC-3	CRC-3	CRC-3	CRC-3	CRC-3	CRC-3	CRC-3	CRC-3	CRC-3	
Lark	397.5	248.5	20.5	CRC-4	CRC-4	CRC-4	CRC-4	CRC-4	CRC-4	CRC-4	CRC-4	CRC-4	CRC-4	CRC-4	CRC-4	CRC-4	CRC-4	CRC-4	CRC-4	CRC-4	CRC-4	CRC-4	CRC-4	CRC-4	CRC-4	
Pelican	477	255.1	20.7	CRC-4	CRC-4	CRC-4	CRC-4	CRC-4	CRC-4	CRC-4	CRC-4	CRC-4	CRC-4	CRC-4	CRC-4	CRC-4	CRC-4	CRC-4	CRC-4	CRC-4	CRC-4	CRC-4	CRC-4	CRC-4	CRC-4	
Flicker	477	273.1	21.5	CRC-4	CRC-4	CRC-4	CRC-4	CRC-4	CRC-4	CRC-4	CRC-4	CRC-4	CRC-4	CRC-4	CRC-4	CRC-4	CRC-4	CRC-4	CRC-4	CRC-4	CRC-4	CRC-4	CRC-4	CRC-4	CRC-4	
Hawk	477	280.8	21.8	CRC-4	CRC-4	CRC-4	CRC-4	CRC-4	CRC-4	CRC-4	CRC-4	CRC-4	CRC-4	CRC-4	CRC-4	CRC-4	CRC-4	CRC-4	CRC-4	CRC-4	CRC-4	CRC-4	CRC-4	CRC-4	CRC-4	
Hen	477	298.1	22.3	CRC-4	CRC-4	CRC-4	CRC-4	CRC-4	CRC-4	CRC-4	CRC-4	CRC-4	CRC-4	CRC-4	CRC-4	CRC-4	CRC-4	CRC-4	CRC-4	CRC-4	CRC-4	CRC-4	CRC-4	CRC-4	CRC-4	
Osprey	556.5	297.5	22.4	CRC-4	CRC-4	CRC-4	CRC-4	CRC-4	CRC-4	CRC-4	CRC-4	CRC-4	CRC-4	CRC-4	CRC-4	CRC-4	CRC-4	CRC-4	CRC-4	CRC-4	CRC-4	CRC-4	CRC-4	CRC-4	CRC-4	

* VARIANTS: The product is manufactured and supplied in modifications as following page. Special range can be required.

B613 ALUMINUM C CONNECTOR SCK, JLC, JLCG

B



JLCG



JLCG+Cover

Product description:

The C Connector are used to connect solid and stranded aluminum, aluminum alloy and stranded aluminum composite conductors including AAC, AAAC, ACSR, XLPE. They may also be used in non-corrosive environments to connect copper conductors.

Used materials:

Aluminum Alloy Body, Stainless steel bolt washer, Polystyrene Cover, Aluminum ring with PVC coating. Undergrounding ring: diameter 8mm, 10mm, 12 mm

Variants:

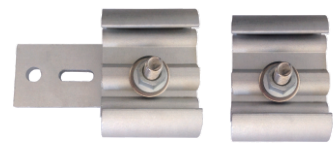
The product is manufactured and supplied in modifications as following page. Special range can be required.

Storage and transport:

Product do not have any specific storage requirements. Its is fire resistant and non-hazardous.

TYPE JLCG series	Conductor (mm ²) ACSR		TYPE JLCG series	Conductor (mm ²) AAAC		TYPE JLCG series	Conductor (mm ²) XLPE	
	LGJ	dia.: mm		LJ	dia.:mm		JKLYJ	dia.:mm
JLCG852	ACSR-35/6	8.16	JLCG853	AAAC 35	7.0	JLCG853	35	7.5
JLCG851	ACSR-50/8	9.60	JLCG852	AAAC 50	8.5	JLCG852	50	9
JLCG844	ACSR-70/10	11.40	JLCG851	AAAC 70	10.0	JLCG851	70	10.6
JLCG843	ACSR-95/15,20	13.61	JLCG844	AAAC 95	11.6	JLCG844	95	13
JLCG842	ACSR-120/20,25	15.07	JLCG843	AAAC 120	13.0	JLCG843	120	14
JLCG823	ACSR-150/20,25	17.10	JLCG842	AAAC 150	14.6	JLCG842	150	15.75
JLCG822	ACSR-185/25,30	18.90	JLCG823	AAAC 185	16.2	JLCG823	185	17.5
JLCG815	ACSR-240/30,35	21.60	JLCG822	AAAC 240	18.4	JLCG815	240	19.95

Type code table:



SCK

JLC



Cover for JLC
Type code: JLCA,B,C

TYPE SCK series	Conductor (mm ²)		
	ACSR LGJ	AAAC LJ	XLPE JKLYJ
SCK-911	ACSR-240/30,35		XLPE-240
SCK-912	ACSR-185/25,30	AAAC-240	XLPE-240 XLPE-185
SCK-920	ACSR-150/20,25	AAAC-185	XLPE-150 XLPE-185
SCK-921	ACSR-120/20,25	AAAC-120 AAAC-150	XLPE-120 XLPE-150
SCK-922	ACSR-95/15,20	AAAC-95	XLPE-95 XLPE-120
SCK-931	ACSR-70/10	AAAC-70	XLPE-95
SCK-932	ACSR-50/8	AAAC-70	XLPE-50 XLPE-70
SCK-933	ACSR-35/6	AAAC-35 AAAC-50	XLPE-35 XLPE-50
SCK-934		AAAC-25	XLPE-35

B613 JLC

B

TYPE JLC series	Conductor (mm ²)			Cover
	ACSR/ACSR LGJ/LGJ	AAAC/AAAC LJ/LJ	XLPE/XLPE JKLYJ/JKLYJ	
JLC811	240/240			Cover JLCA
JLC812	240/185	240/240		
JLC813	240/150 185/185	240/185	240/240	
JLC814	240/120 240/95	240/150	240/185	
JLC815	240/70 240/50	240/120 240/95	240/150 240/120 240/95	
JLC816	240/35	240/70 240/50 240/35	240/70 240/50	
JLC821	185/150 185/120	185/185	240/240 240/185	
JLC822	185/95	185/150 185/120	240/150 240/120 240/95	
JLC823	185/70 185/50	185/95 185/70	240/70 185/120 185/95	
JLC824	185/35	185/50 185/35	240/50 240/35 185/70 185/50	
JLC831	150/150			Cover JLCC
JLC832	150/120 150/95 120/120	150/150		
JLC833	150/70	150/95 150/70		
JLC834	150/50 150/35	150/50 150/35		
JLC841	120/95	150/120	150/150	
JLC842	120/70 95/95	150/95 120/120	150/120	
JLC843	120/50 95/70	120/95 120/70 95/95	150/95 150/70 120/120 120/95	
JLC844	120/35 95/50 95/35	120/50 120/35 150/35	150/50 150/35 120/70 120/50	
JLC845		120/25 120/16 150/25 150/16		
JLC851	70/70	95/70	95/95	
JLC852	70/50 70/35	95/50 95/35 70/70	95/70 95/50 70/70	
JLC853	50/50	70/50 70/35	70/50 95/35	Cover JLCC
JLC861	50/35 35/35	50/50 50/35 35/35	70/35 50/50 50/35	
JLC862		50/25 50/16	35/35	
JLC863		35/25 35/16		

